

SIRUBA

GAGE PARTS LIST

Series
VC008

Remark

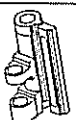
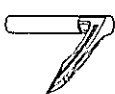
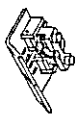
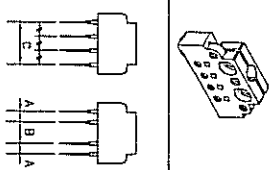
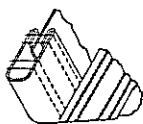
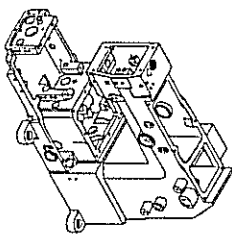
*VPT.:適用於VC008-12XXX applicable to VC008-12XXX
 *VSF.:適用於VC008-0448/0464 applicable to VC008-0448/0464
 **VWL.:適用於VC008-04XXX applicable to VC008-04XXX

Page

1 / 6

Date

2013/05/13



機 型 MODEL	規格 SVB CLASS	種 類 NEEDLE GAUGE	針 座 NEEDLE HOLDER	針 板 NEEDLE PLATE	送 具 FEED DOG	押 具 PRESSER FOOT	撥 線 軸 RETAINER HOLDER	勾 針 LOOPER	護 針 片 NEEDLE GUARD	勾 針 座 LOOPER HOLDER	勾 針 座 台 LOOPER HOLDER BLOCK	針 號 NEEDLE
VC008-02/VMR	064P	1/4"	M9002	E9002D	D9002	P9002	R9002	VE51	VE49	L9002	VE11Q	UX0113GS #11~#14
	064P	3/4"	M9004	E9004D	D9004	P9004	R9004	VE51	VE49	L9004	VE11Q	UX0113GS #11~#14
	085P	1"	M9104	E9104D	D9104	P9104	R9104	VE51	VE49	L9104	VE11Q	UX0113GS #11~#14
	095P	1 1/8"	M9204	E9204D	D9204	P9204	R9204	VE51	VE49	L9204	VE11Q	UX0113GS #11~#14
VC008-04	106P	1 1/4"	M9304	E9304D	D9304	P9304	R9304	VE51	VE49	L9304	VE11Q	UX0113GS #11~#14
	127P	1 1/2"	M9404	E9404D	D9404	P9404	R9404	VE51	VE49	L9404	VE11Q	UX0113GS #11~#14
	064P	3/4"	M9004	E9004D	D9004P	P9004	VUT109P	VE51	VE49	L9004	VE11Q	UX0113GS #11~#14
	085P	1"	M9104	E9104D	D9104P	P9104	VUT109P	VE51	VE49	L9104	VE11Q	UX0113GS #11~#14
VC008-04/VUT	095P	1 1/8"	M9204	E9204D	D9204P	P9204	VUT109P	VE51	VE49	L9204	VE11Q	UX0113GS #11~#14
	106P	1 1/4"	M9304	E9304D	D9304P	P9304	VUT109P	VE51	VE49	L9304	VE11Q	UX0113GS #11~#14

SIRUBA

GAGE PARTS LIST

VC008

Series

Remark

*VPT.:適用於VC008-12XXX applicable to VC008-12XXX
 *VSF.:適用於VC008-0448/0464 applicable to VC008-0448/0464
 *VWL.:適用於VC008-04XXX applicable to VC008-04XXX

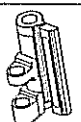
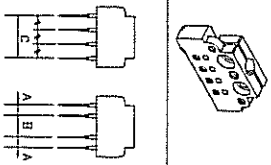
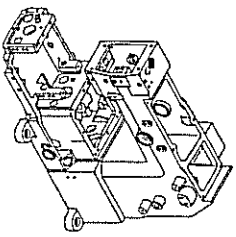
Page

Date

2 / 6

2013/05/13

機 型 MODEL	規格 SVB CLASS	種 類 NEEDLE GAUGE	針 座 NEEDLE HOLDER	針 板 NEEDLE PLATE	送 具 FEED DOG	押 具 PRESSER FOOT	撥線軸 RETAINER HOLDER	勾 針 LOOPER	護針片 NEEDLE GUARD	勾針座 LOOPER HOLDER	勾針座台 LOOPER HOLDER BLOCK	針 號 NEEDLE
VC008-04/VUT	127P	1 1/2"	M9404	E9404D	D9404P	P9404	VUT109P	VE51	VE49	L9404	VE11Q	UOX113GS #11~#14
	64P	1/4"	M9213	E9213	D9213	P9213D	R9213	VE51	VE49	L9002	VE11Q	UOX113GS*4 #11~#14
	032P	(1/4-1/8-1/8 1/4)*3	M9113	E9113	D9113	P9113D	R9113	VE51T	VE49T	L9119T-E	VE11Q	UOX113GS #11~#14
	191P	3/16-3/4-3/16"		E9504E	D9504A	P9504A	R9504A	VE51	VE49	L9504A	VE11Q	UOX113GS #11~#14
VC008-0448	222P	3/16-7/8-3/16"		E9204E	D9204A	P9204A	R9204A	VE51	VE49	L9204A	VE11Q	UOX113GS #11~#14
	254P	3/16-1-3/16"		E9404E	D9404A	P9404A	R9404A	VE51	VE49	L9404A	VE11Q	UOX113GS #11~#14
	254P	3/16-1-3/16"	M9404A	E9404E	D9404A	P9404A	R9404A	VE51	VE49	L9404A	VE11Q	UOX113GS #11~#14
VC008-0448 /VSF	191P	1/4-3/4-1/4"		E9304E	D9304A	P9304A	R9304A	VE51	VE49	L9304A	VE11Q	UOX113GS #11~#14
	127P	1/4-1/2-1/4"		E9004E	D9004A	P9004A	R9004A	VE51	VE49	L9004A	VE11Q	UOX113GS #11~#14
	254P	1/4-1-1/4"	M9104A	E9104E	D9104A	P9104A	R9104A	VE51	VE49	L9104A	VE11Q	UOX113GS #11~#14
VC008-06/VPL	048P	3/16"	M9012	E9012	D9012	P9412D	R9012	VE51	VE49	L9012	VE11Q	UOX113GS #11~#14



SIRUBA

GAGE PARTS LIST

Series VC008

*VPT.:適用於VC008-12XXX
 *VSF.:適用於VC008-0448/0464
 *VWL.:適用於VC008-04XXX

Remark applicable to VC008-12XXX
 applicable to VC008-0448/0464
 applicable to VC008-04XXX

Page 3 / 6

Date 2013/06/22

機 型 MODEL	規格 SVB CLASS	種 類 NEEDLE GAUGE	針 座 NEEDLE HOLDER	針板 NEEDLE PLATE	送 具 FEED DOG	押 具 PRESSER FOOT	撥線軸 RETAINER HOLDER	勾 針 LOOPER	護針片 NEEDLE GUARD	勾針座 LOOPER HOLDER	勾針座台 LOOPER HOLDER BLOCK	針 號 NEEDLE
VC008-06/VPQ	064P	1/4"	M9112	E9112	D9112	P9512D	R9112	VE51	VE49	L9112	VE11Q	UOX113GS #11~#14
	064P	1/2"	M9112	E9112	D9112	P9512B	R9112	VE51	VE49	L9112	VE11Q	UOX113GS #11~#14
VC008-06/VUT	064P	1/4"	M9112	E9112	D9112	P9112D	VUT109P	VE51	VE49	L9112	VE11Q	UOX113GS #11~#14
VC008-06	048P	3/16"	M9012	E9012	D9012	P9412D	R9012	VE51	VE49	L9012	VE11Q	UOX113GS #11~#14
VC008-08/VUT	064P	1/4"	M9108	E9108	D9108	P9108	VUT109P	VE51	VE49	L9112	VE11Q	UOX113GS #11~#14
VC008-1132	064P	1/8-1/4-1/8"	M9313	E9211	D9211JK	P9211-A P9211A-A	R9313	VE51T	VE49T	L9113T-E	VE11Q	UOX113GS #11~#14
VC008-12	048P	3/16"	M9012	E9012	D9012	P9012D	R9012	VE51	VE49	L9012	VE11Q	UOX113GS #11~#14
	050P	5mm	M9612	E9612	D9612	P9612D	R9612	VE51	VE49	L9612	VE11Q	UOX113GS #11~#14
	064P	1/4"	M9112	E9112	D9112	P9112D	R9112	VE51	VE49	L9112	VE11Q	UOX113GS #11~#14
VC008-12/VPQ	064P	1/4"	M9112	E9312	D9312	P9312	R9112	VE51Q	VE49	L9112	VE11Q	UOX113GS #11~#14
	048P	3/16"	M9012	E9212	D9212	P9212	R9012	VE51Q	VE49	L9012	VE11Q	UOX113GS #11~#14

SIRUJAF

GAGE PARTS LIST

Series
VC008

*VPT:適用於VC008-12XXX
*VSF:適用於VC008-0448/0464
*VWL:適用於VC008-04XXX

Remark
applicable to VC008-12XXX
applicable to VC008-0448/0464
applicable to VC008-04XXX

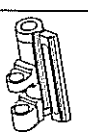
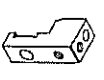
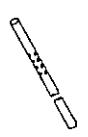
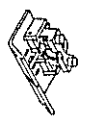
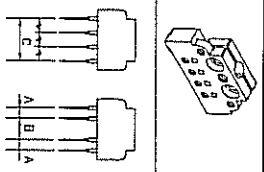
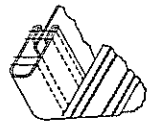
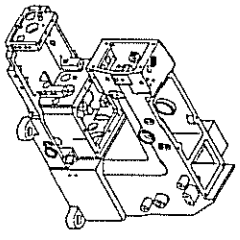
Page

4 / 6

Date

2013/05/13

機 型 MODEL	規格 SVB CLASS	種 類 NEEDLE GAUGE	針 座 NEEDLE HOLDER	針 板 NEEDLE PLATE	送 具 FEED DOG	押 具 PRESSER FOOT	撥 線 軸 RETAINER HOLDER	勾 針 LOOPER	護 針 片 NEEDLE GUARD	勾 針 座 LOOPER HOLDER	勾 針 座 台 LOOPER HOLDER BLOCK	針 號 NEEDLE
VC008-12/VPQK	064P	1/4"	M9112	E9312	D9312	P9312	R9112	VE51Q	VE49	L9112	VE11Q	UXOX1136S #11~#14
	048P	3/16"	M9012	E9212	D9212	P9212	R9012	VE51Q	VE49	L9012	VE11Q	UXOX1136S #11~#14
VC008-12/VPS	048P	3/16"	M9012	E9212A	D9212	P9212B	—	VSM47	—	L9012	VE11Q	DV-K25 #18~#21
	064P	1/4"	M9112	E9312A	D9312	P9312B	—	VSM47	—	L9112	VE11Q	DV-K25 #18~#21
VC008-12/VPL	064P	1/4"	M9112	E9112	D9112	P9712D	R9112	VE51	VE49	L9112	VE11Q	UXOX1136S #11~#14
	048P	3/16"	M9012	E9012	D9012	P9012D	R9012	VE51	VE49	L9012	VE11Q	UXOX1136S #11~#14
VC008-12/VP1	064P	1/4"	M9112	E9112	D9112	P9112D	R9112	VE51	VE49	L9112	VE11Q	UXOX1136S #11~#14
	048P	3/16"	M9012	E9012	D9012	P9012B	R9012	VE51	VE49	L9012	VE11Q	DVX57 #11~#18
VC008-12/VSM	064P	1/4"	M9112	E9112	D9112	P9312B	R9112	VE51	VE49	L9112	VE11Q	DVX57 #11~#18
	048P	3/16"	M9012	E9212A	D9212	P9212B	—	VSM47	VE49	L9012	VE11Q	DV-K25 #18
VC008-12/VSQ	064P	1/4"	M9112	E9312A	D9312	P9312B	—	VSM47	VE49	L9112	VE11Q	DV-K25 #18
	048P	3/16"	M9012	E9212A	D9212	P9212B	—	VSM47	VE49	L9012	VE11Q	DV-K25 #18



SIRUBA

GAGE PARTS LIST

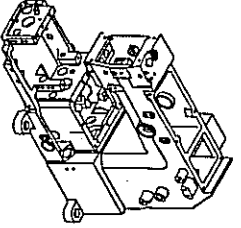

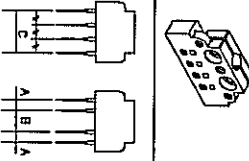


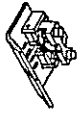

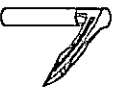


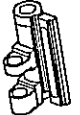

Series
VC008

*VPT:適用於VC008-12XXX
*VSF:適用於VC008-0448/0464
*VWL:適用於VC008-04XXX

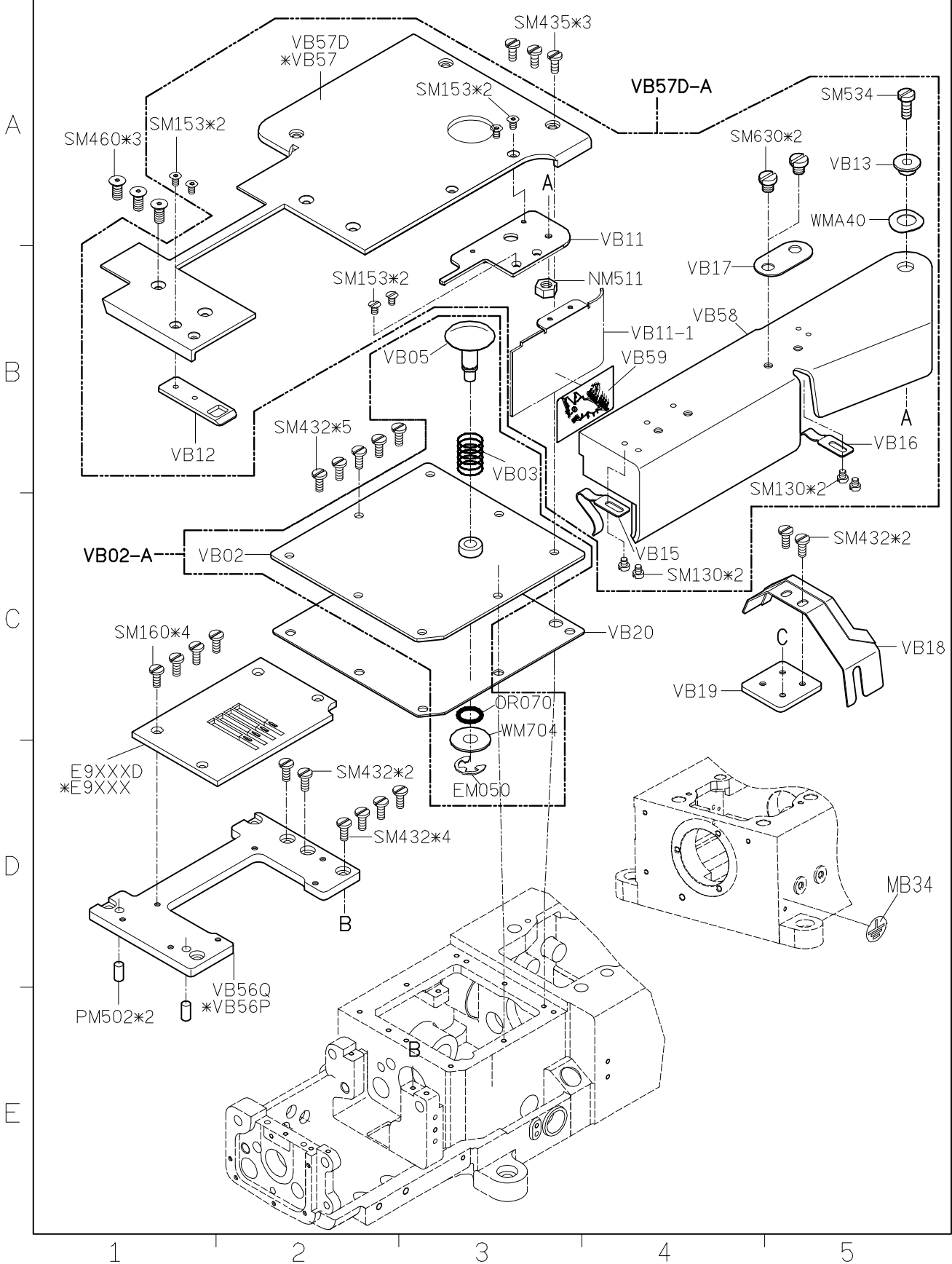
Remark
applicable to VC008-12XXX
applicable to VC008-0448/0464
applicable to VC008-04XXX

Page
5 / 6

Date
2013/06/04

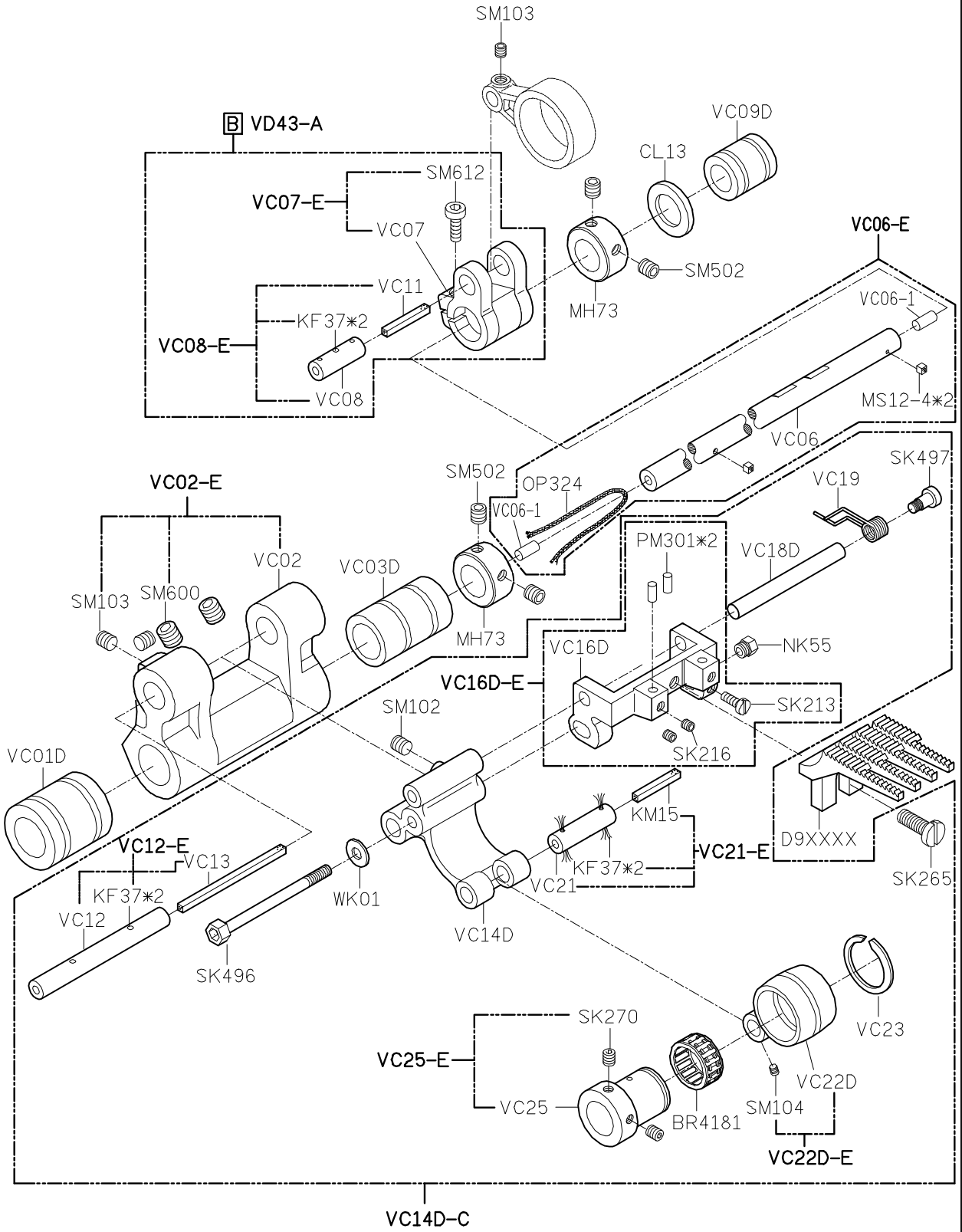
機 型 MODEL	規格 SVB CLASS	種 類 NEEDLE GAUGE	針 座 NEEDLE HOLDER	針 板 NEEDLE PLATE	送 具 FEED DOG	押 具 PRESSER FOOT	撥 線 軸 RETAINER HOLDER	勾 針 LOOPER	護 針 片 NEEDLE GUARD	勾 針 座 LOOPER HOLDER	勾 針 座 台 LOOPER HOLDER BLOCK	針 號 NEEDLE
												
VC008-12/VSSM	048P	3/16"	M9012	E9212	D9212	P9212B	R9012	VE51Q	VE49	L9012	VE11Q	DVX57 #11~#18
VC008-12/VSSM	064P	1/4"	M9112	E9312	D9312	P9312B	R9112	VE51Q	VE49	L9112	VE11Q	DVX57 #11~#18
VC008-12/VUT	050P	5mm	M9612	E9612	D9612P	P9612D	VUT109P	VE51	VE49	L9612	VE11Q	UOX113GS #11~#14
VC008-12/VSC	064P	1/4"	M9112	E9112E	D9112E	P9112D	R9112	VE51	VE49	L9112	VE11Q	UOX113GS #11~#14
VC008-12A32	032P	1/4-1/8-1/8 1/4)*3	M9113	E9113	D9113	P9113D	R9113	VE51T	VE49T	L9119T-E	VE11Q	UOX113GS #11~#14
VC008-12A	64P	1/4"	M9213	E9213	D9213	P9213D	R9213	VE51	VE49	L9002	VE11Q	UOX113GS*6 #11~#14
VC008-13	032P	1/8"	M9313	E9313	D9313	P9313	R9313	VE51T	VE49T	L9113T-E	VE11Q	UOX113GS*4 #11~#14
	064P	1/4"	M9213	E9213	D9213	P9213D	R9213	VE51	VE49	L9213	VE11Q	UOX113GS*4 #11~#14
VC008-1332	032P	1/4-1/8-1/8 1/4)*3	M9113	E9113	D9113	P9113D	R9113	VE51T	VE49T	L9119T-E	VE11Q	UOX113GS*4 #11~#14
VC008-17	032P	1/8"	M9117	E9117A	D9117A	P9117	R9117	VE51T	VE49T	L9119T-E	VE11Q	UOX113GS*4 #11~#14
VC008-21	032P	1/8"	M9121	E9121B	D9121A	P9121	R9121	VE51T	VE49T	L9121T-E	VE11Q	UOX113GS*4 #11~#14

SIRUBA PARTS LIST	Series	Parts Group	Subclass / Remark	Page
	VC008	VB		1/1
				Date
				2012/08/30



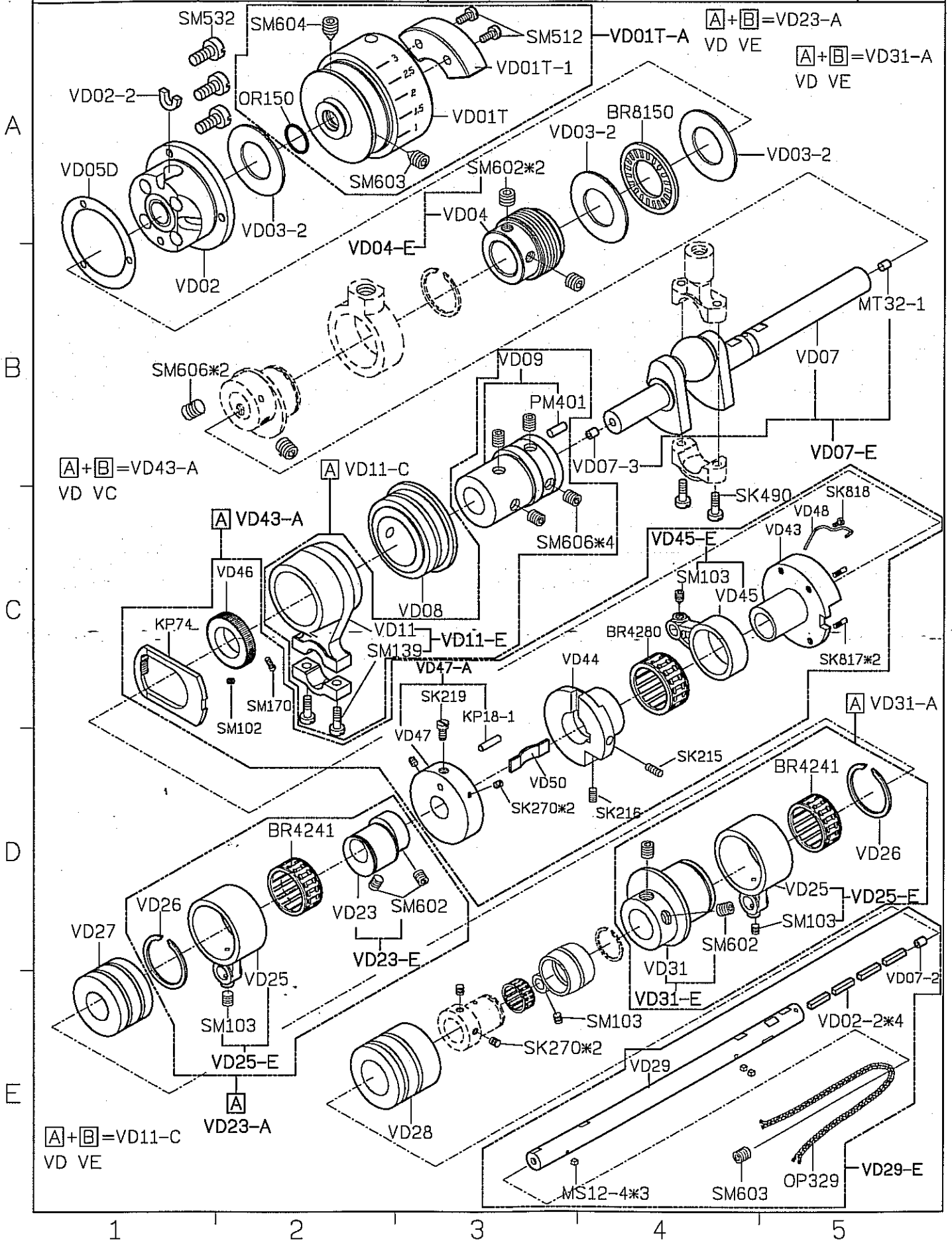
SIRUBA PARTS LIST	Series	Parts Group	Subclass / Remark	Page
	VC008	VC		1/1
				Date
				2012/08/23

A
B
C
D
E

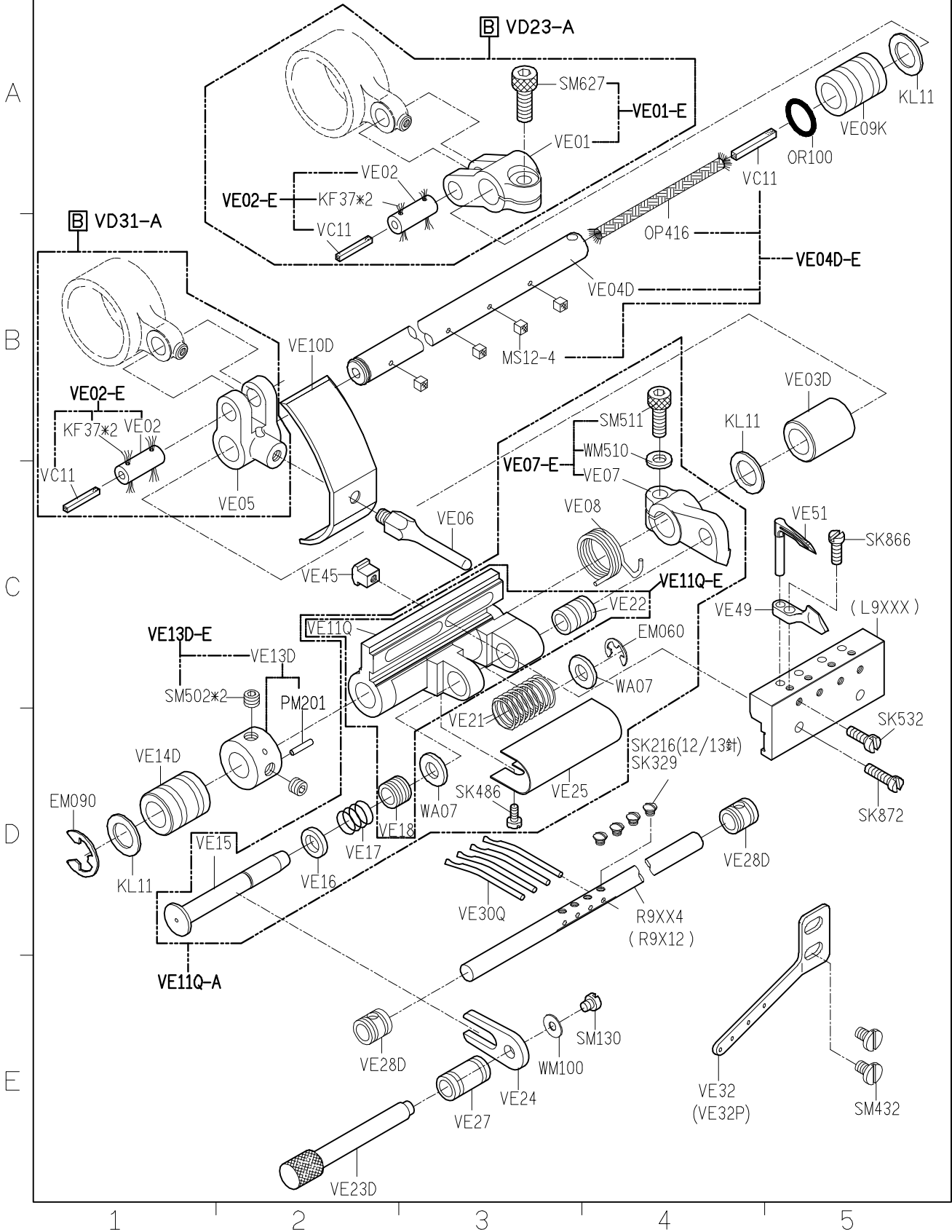


1 2 3 4 5

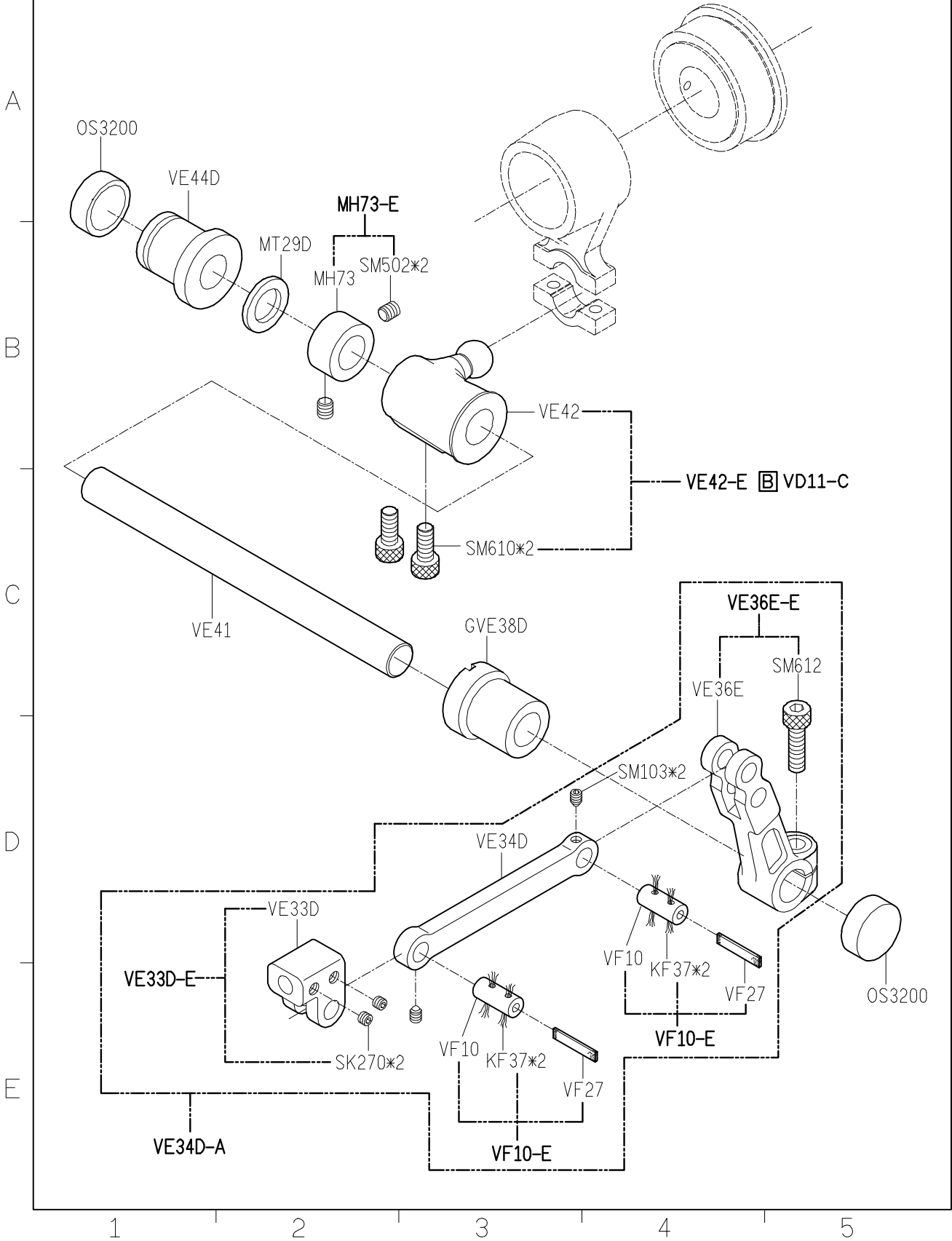
SIRUBA PARTS LIST	Series	Parts Group	Subclass / Remark	Page
	VC008	VD		1/1
				Date
				2013/08/13



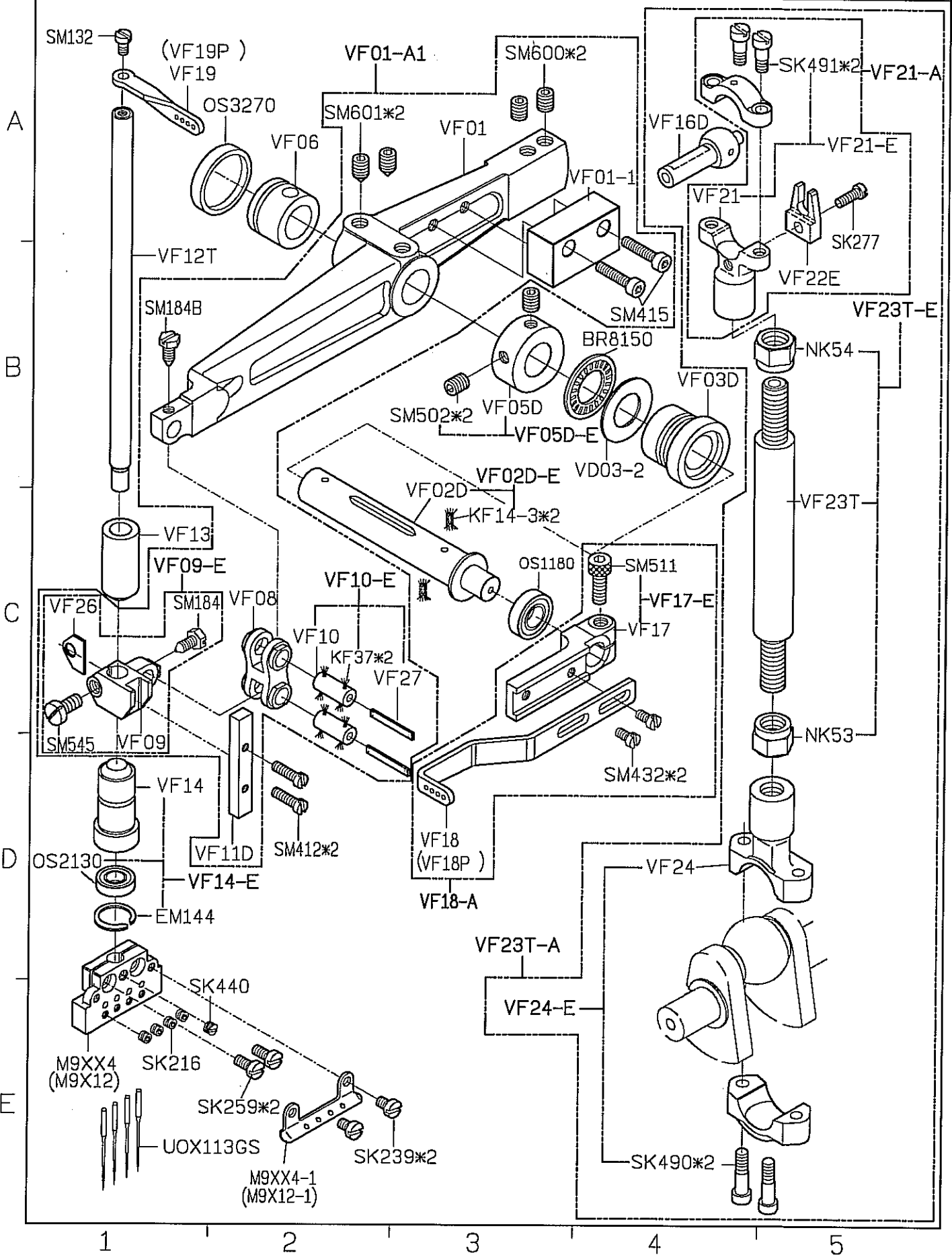
SIRUBA PARTS LIST	Series	Parts Group	Subclass / Remark	Page
	VC008	VE		1/4
				Date
				2012/12/10



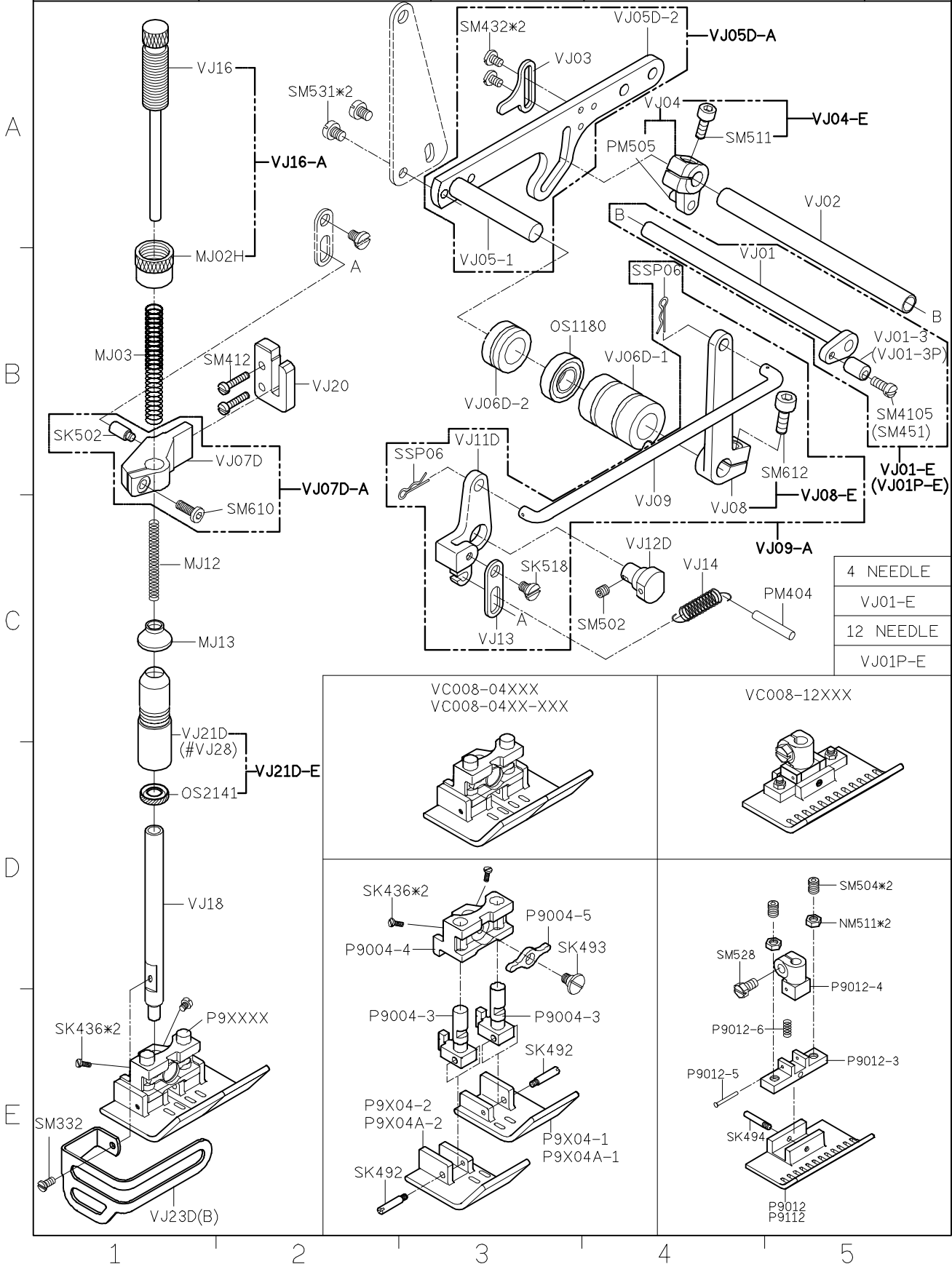
SIRUBA PARTS LIST	Series	Parts Group	Subclass / Remark	Page
	VC008	VE		2/4
				Date
				2012/08/23



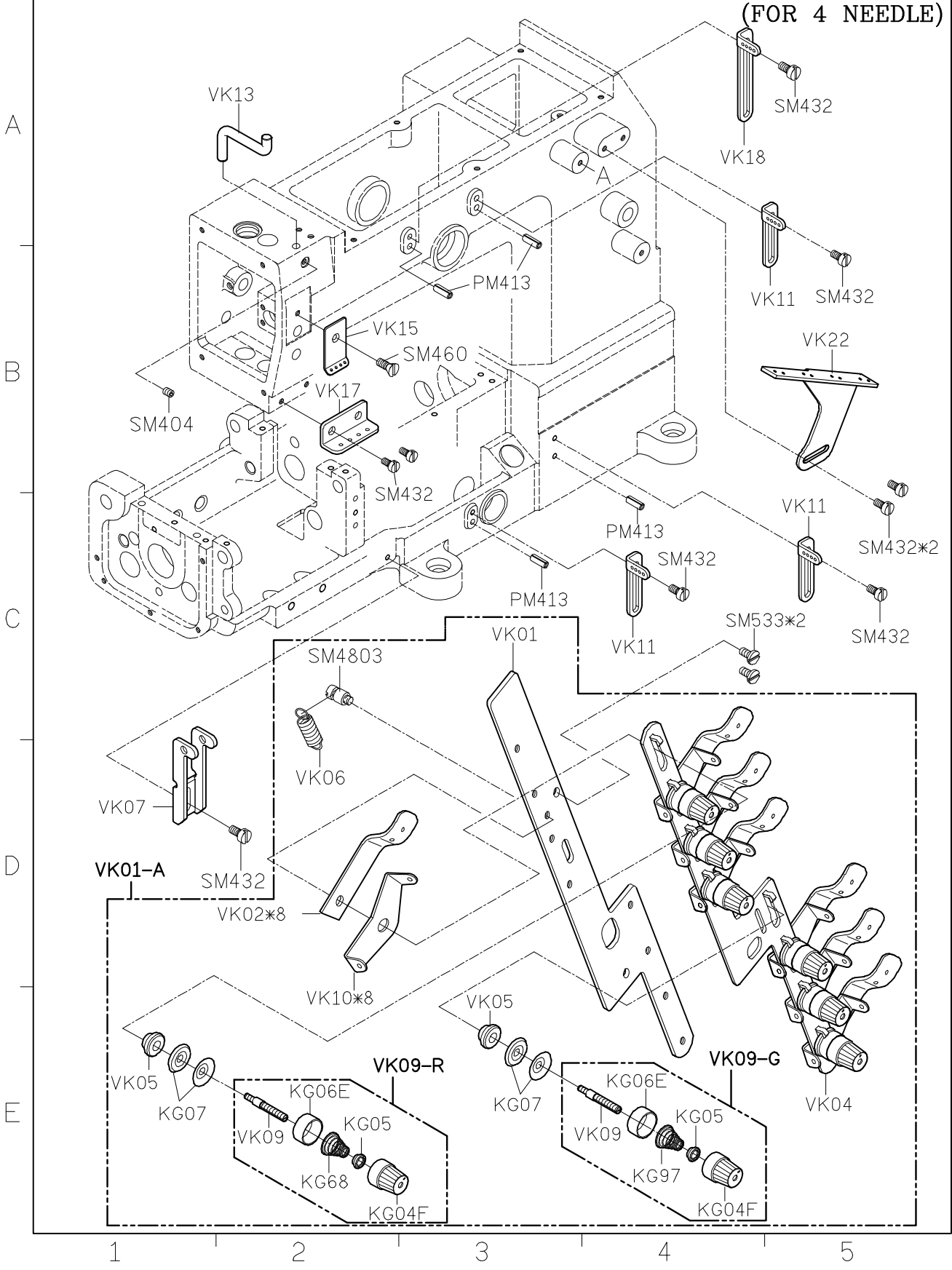
SIRUBA PARTS LIST	Series	Parts Group	Subclass / Remark	Page
	VC008	VF		1/1
				Date
				2013/12/16



SIRUBA PARTS LIST	Series	Parts Group	Subclass / Remark	Page
	VC008	VJ	# Use for VUT	1/1
				Date
				2012/08/23

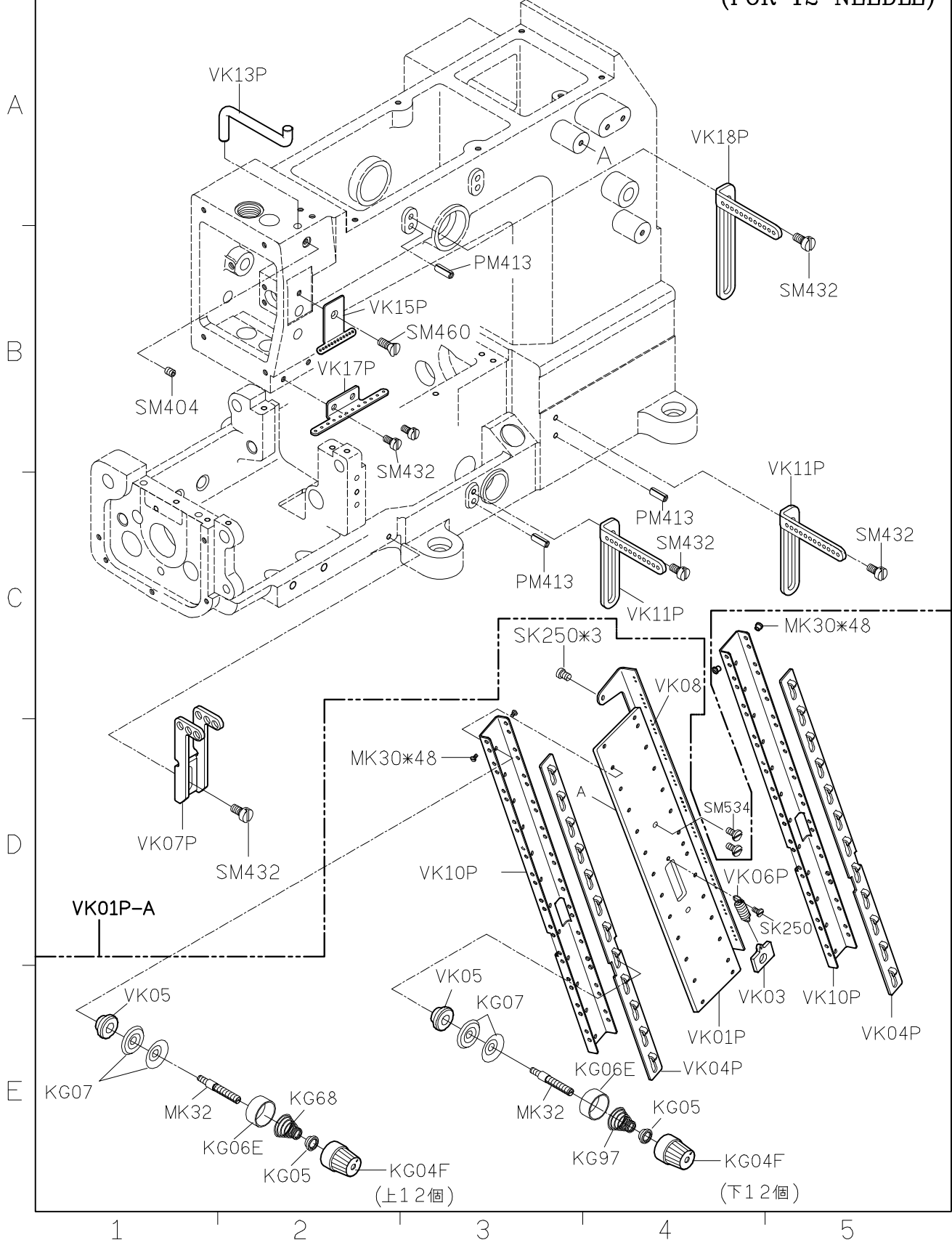


SIRUBA PARTS LIST	Series	Parts Group	Subclass / Remark	Page
	VC008	VK		1/2
				Date
				2012/08/23

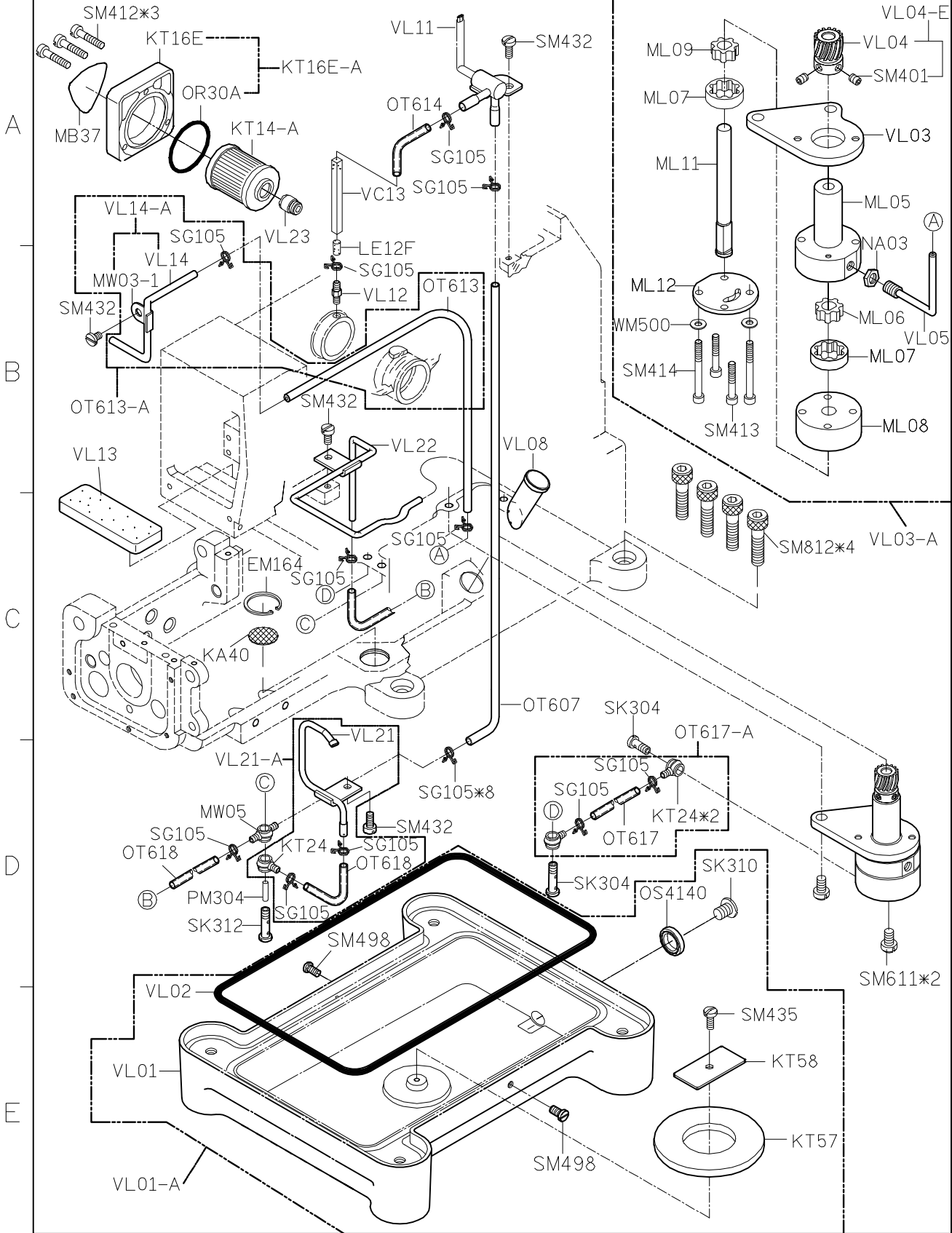


SIRUBA PARTS LIST	Series	Parts Group	Subclass / Remark	Page
	VC008	VK		2/2
				Date
				2012/08/23

(FOR 12 NEEDLE)



SIRUBA PARTS LIST	Series	Parts Group	Subclass Remark	Page
	VC008	VL		1/1
				Date
				2012/03/21



SIRUBA

PARTS LIST

Series

VC008

Parts Group

VN

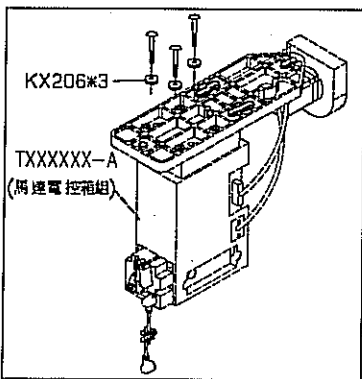
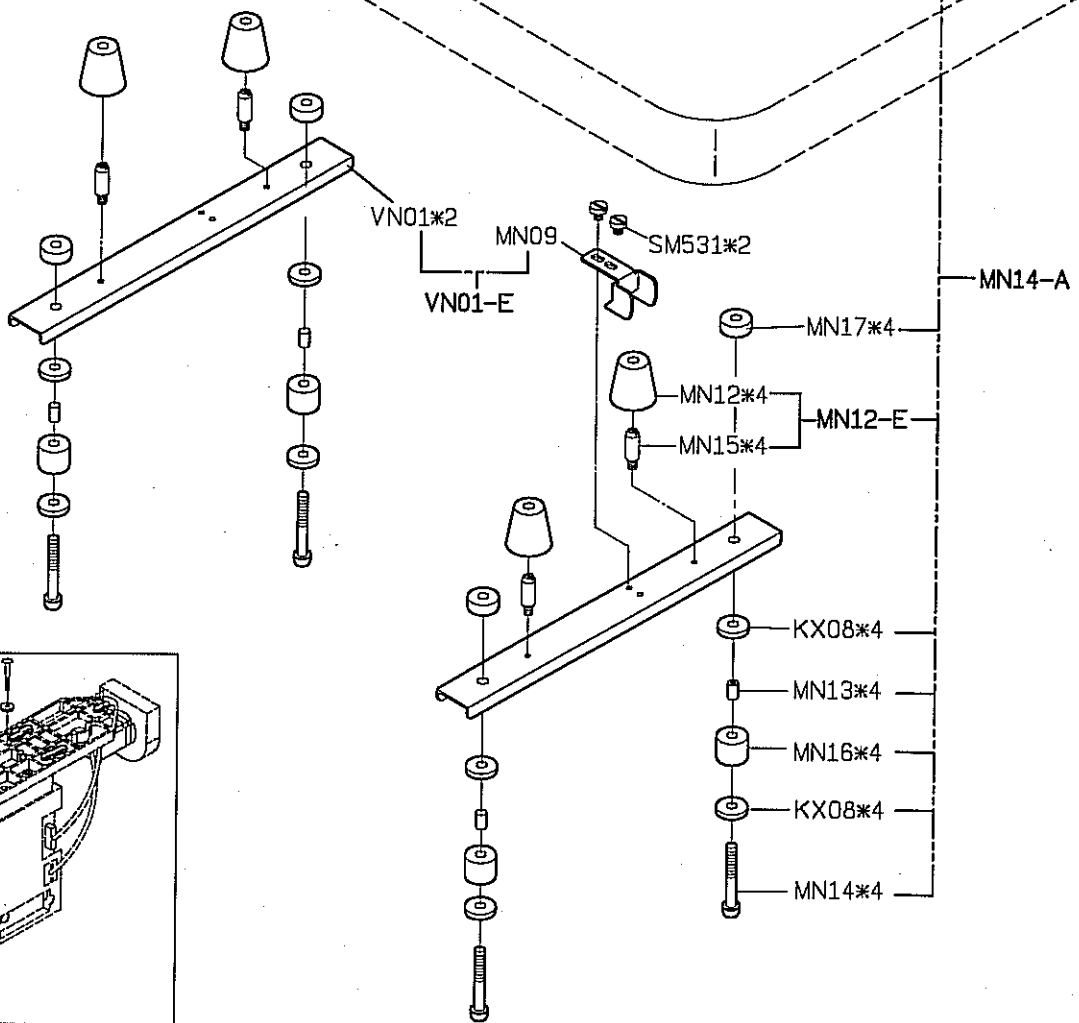
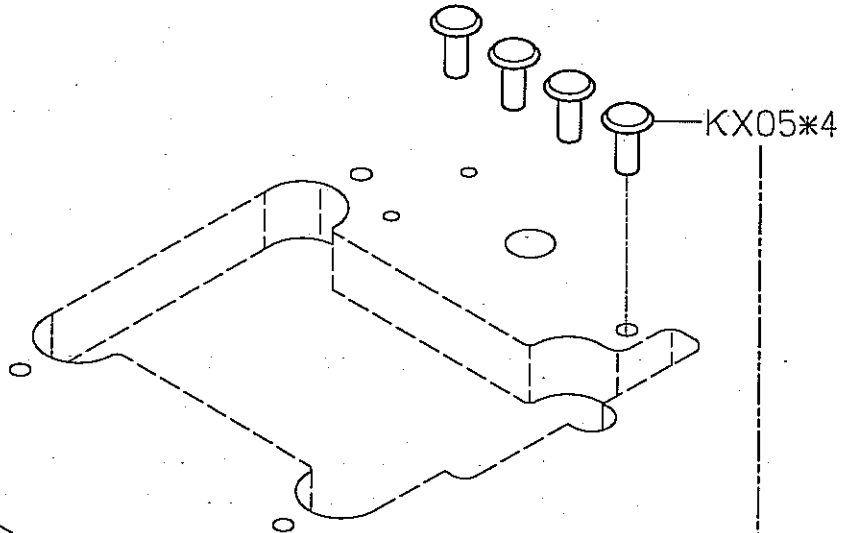
Subclass / Remark

Page

1/3

Date

2014/03/13



1

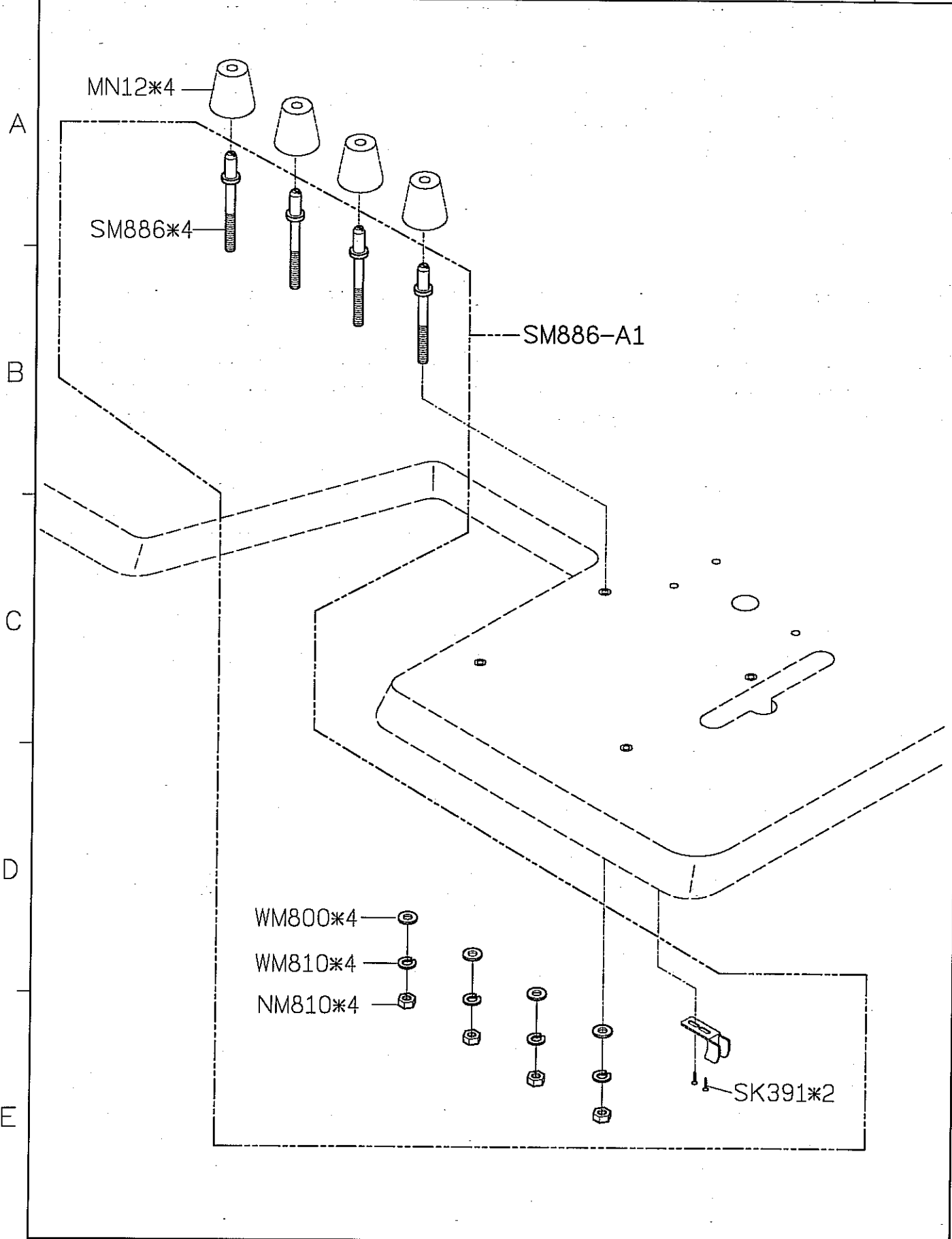
2

3

4

5

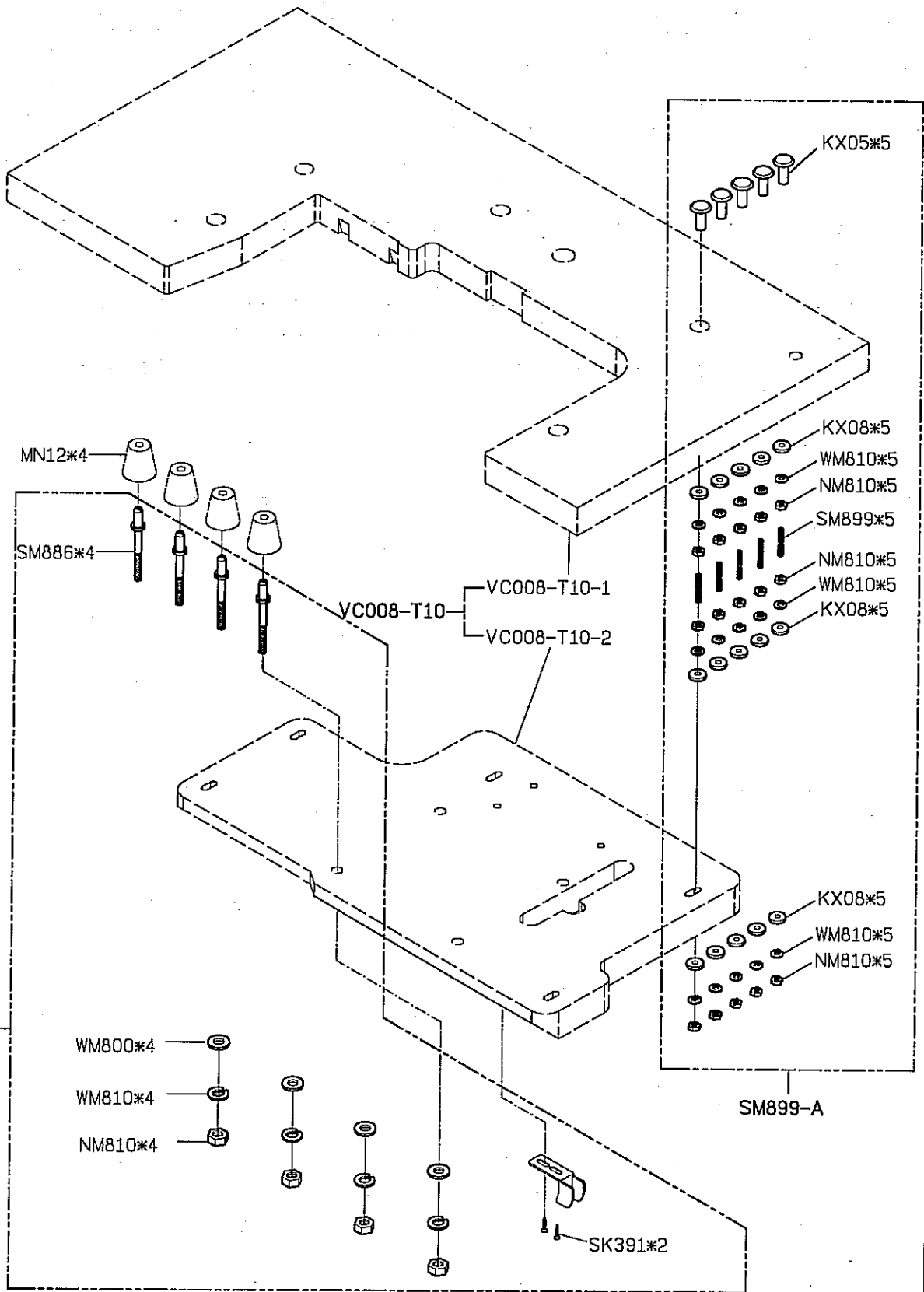
SIRUBA PARTS LIST	Series	Parts Group	Subclass / Remark	Page
	VC008	VN	Use for 上乘式桌板	2/3
				Date
				2014/03/13



1 2 3 4 5

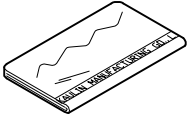
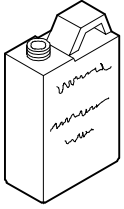



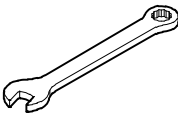
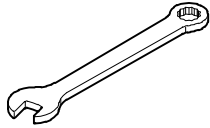

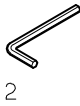
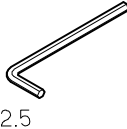
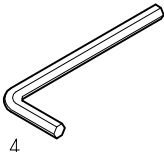
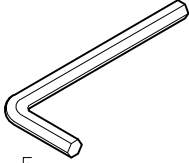
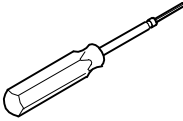
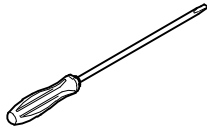
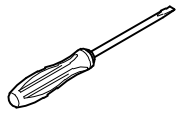

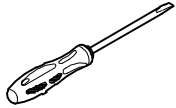
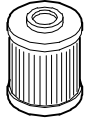

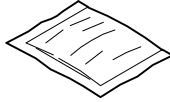
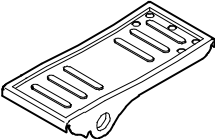

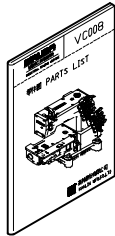

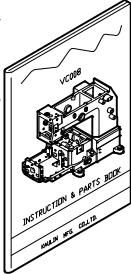
SIRUBA PARTS LIST	Series	Parts Group	Subclass / Remark	Page
	VC008	VN	Use for 全沉式桌板	3/3
				Date
				2014/03/13

A
B
C
D
E

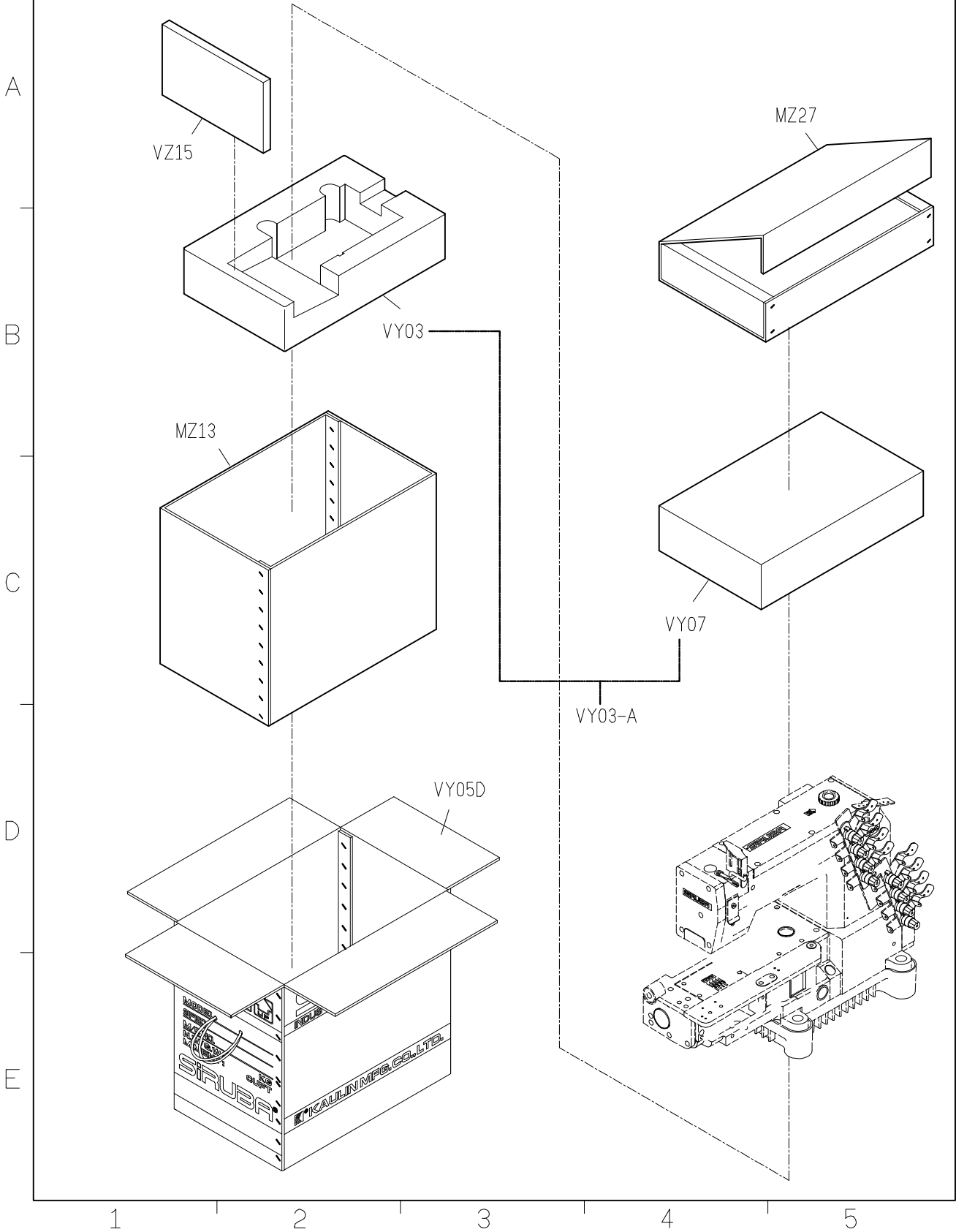


1 2 3 4 5

SIRUBA PARTS LIST	Series	Parts Group	Subclass / Remark	Page
	VC008	VY		1/2
				Date
				2012/08/23

A	MY01 防塵罩 	KY02F-A 油罐 	KY03 油壺 	KY04 漏斗 	KY07 開口板手 
	KY08 開口板手 	KY09 開口板手 	MY09 六角板手 	KY10 六角板手 	MY10 六角板手 
B	MY12 六角板手 	KY11 六角板手 	KY14 內六角螺絲起子 	KY16 一字起子 	KY17 一字起子 
	KY18 鑷子 	KY22 一字起子 (23針用) 	KT14-A 濾油器 	KY26F 工具袋 	KZ03 乾燥劑 
C	KY20D-A 腳踏板 	KY21-1/MY21 鉤子/鍊條 	VY04 零件圖 	VY09 輔助件零件圖 	VY01/P 使用說明書 四針(十二針) 車使用說明書 
	1	2	3	4	5

SIRUBA PARTS LIST	Series	Parts Group	Subclass / Remark	Page
	VC008	VY		2/2
				Date
				2012/08/23



SIRUBA PARTS LIST	Series	Parts Group	Subclass / Remark	Page
	VC008	VZ		1/2
				Date
				2012/11/15

OPTION:VZ02-A
(4 NEEDLE USE)

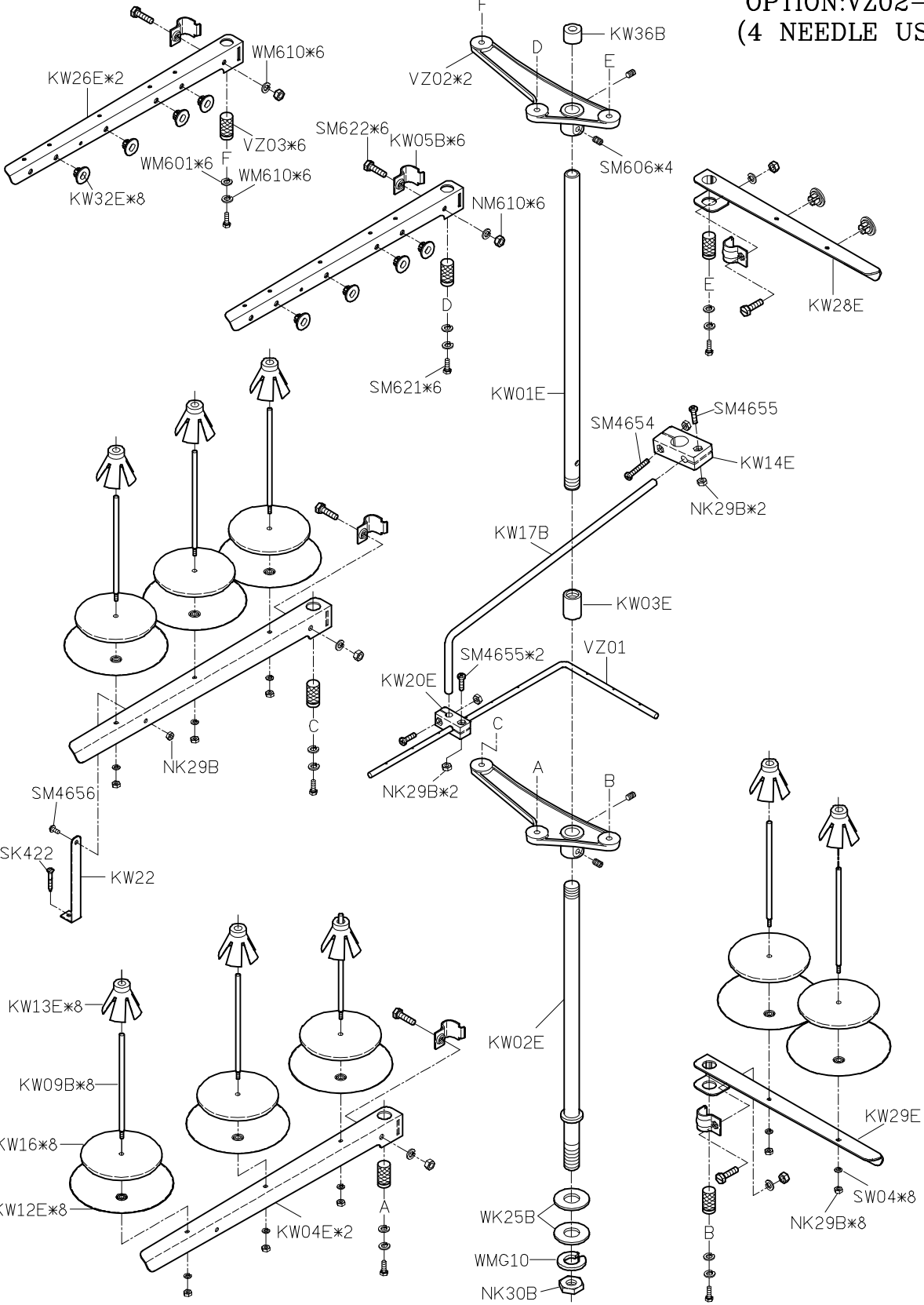
A

B

C

D

E



1

2

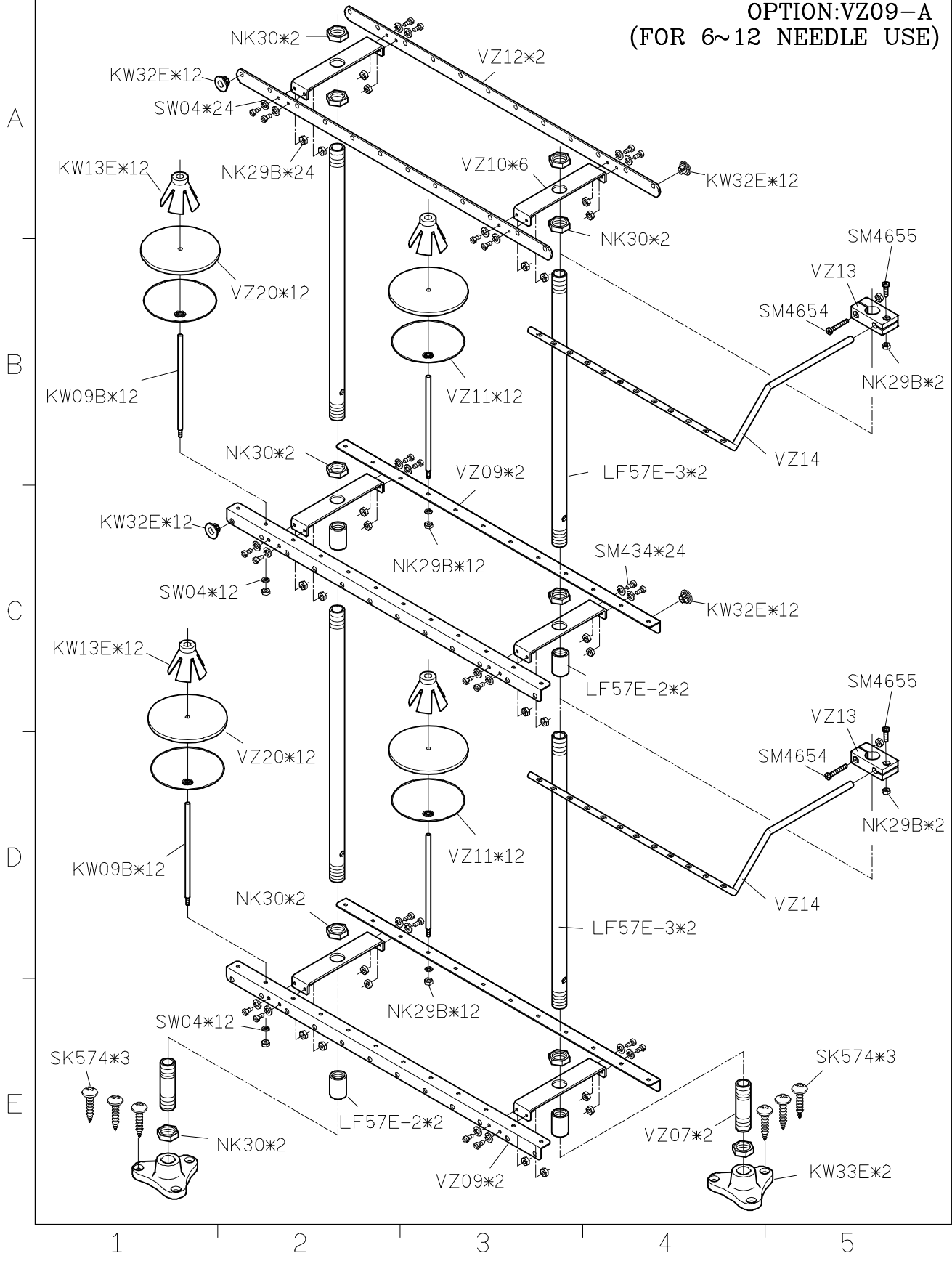
3

4

5

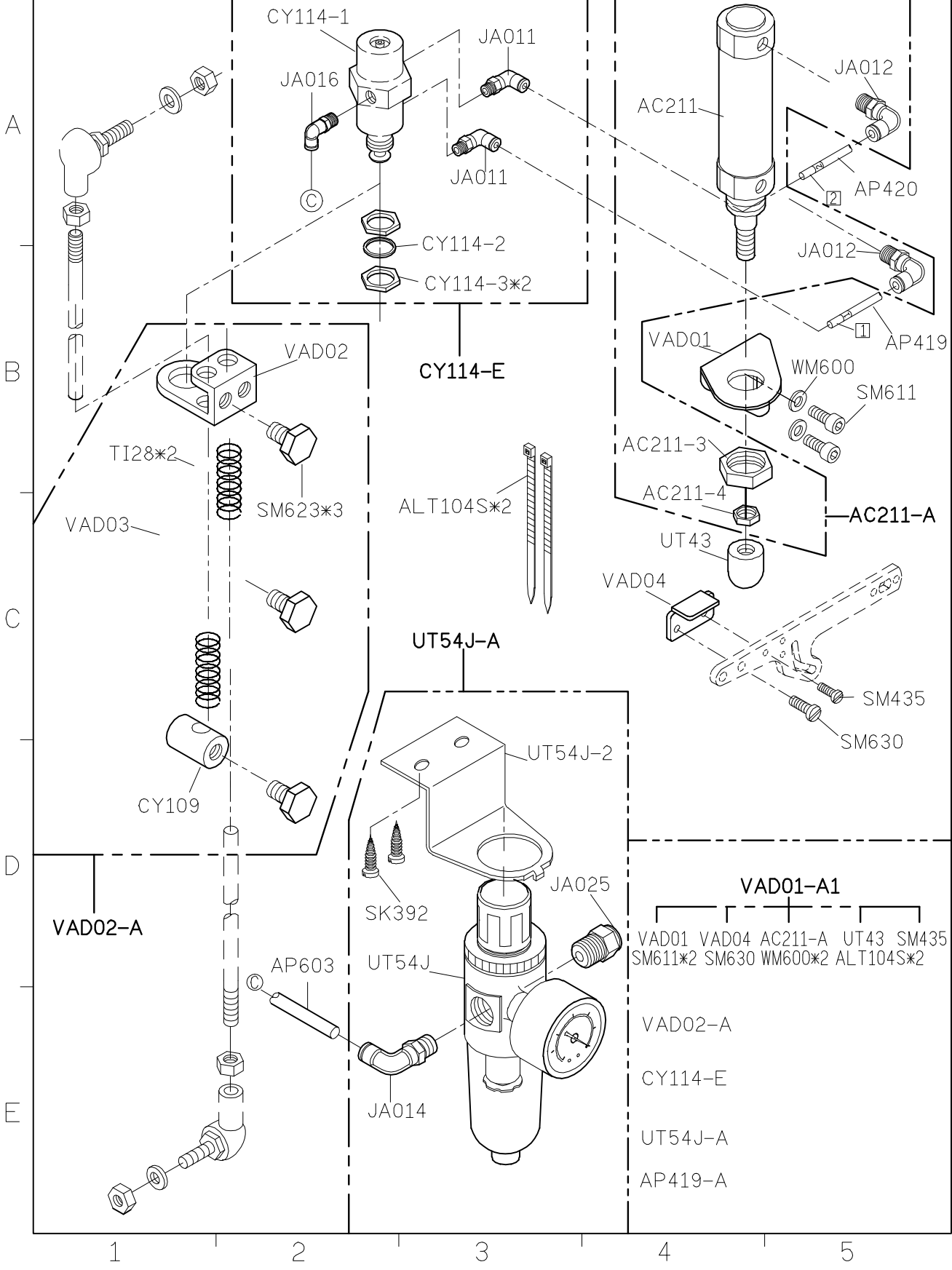
SIRUBA PARTS LIST	Series	Parts Group	Subclass / Remark	Page
	VC008	VZ		2/2
				Date
				2012/11/15

OPTION:VZ09-A
(FOR 6~12 NEEDLE USE)

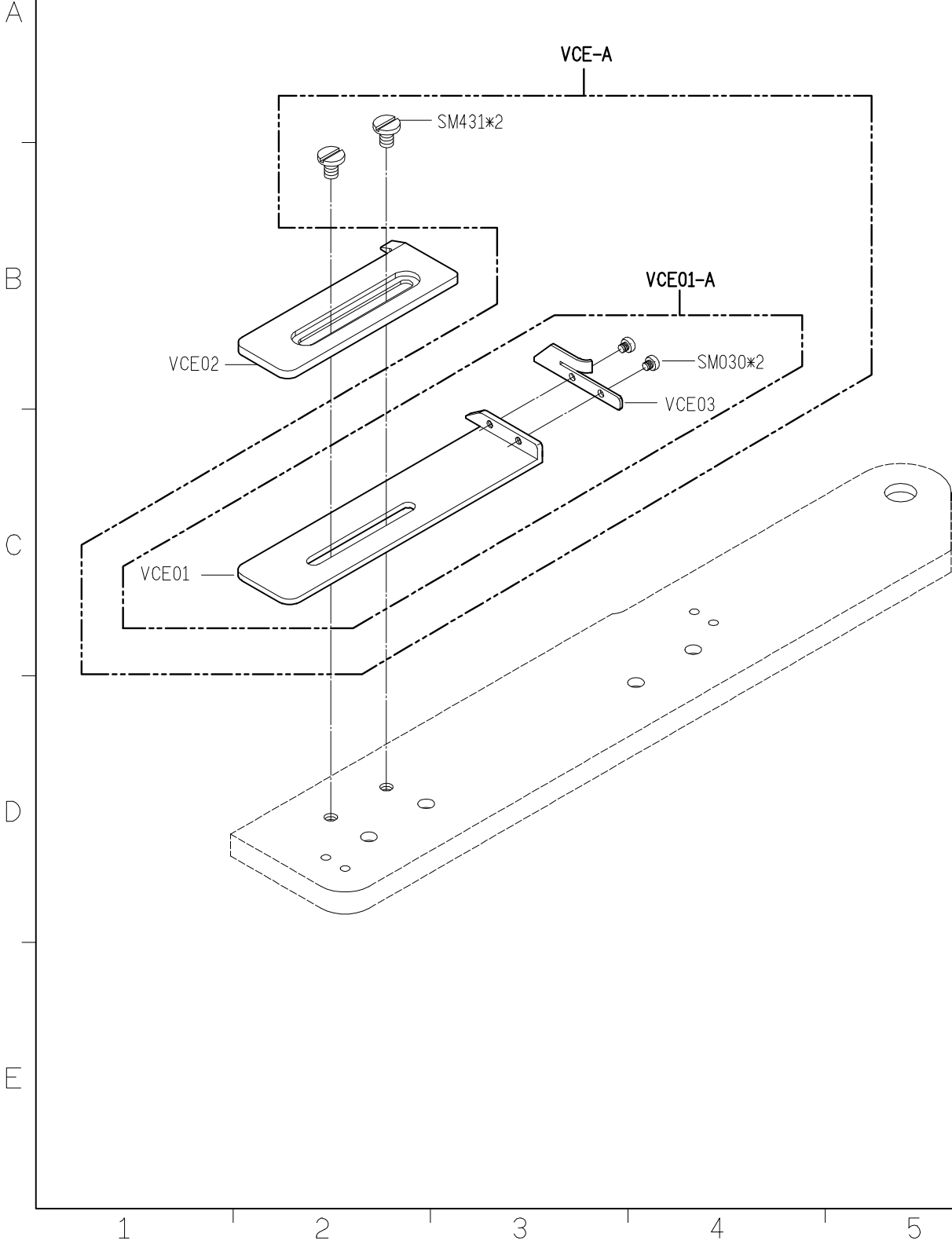


- NK30*2
- VZ12*2
- KW32E*12
- SW04*24
- VZ10*6
- KW13E*12
- NK29B*24
- NK30*2
- KW32E*12
- SM4655
- VZ13
- SM4654
- NK29B*2
- VZ20*12
- VZ11*12
- VZ14
- KW09B*12
- NK30*2
- VZ09*2
- LF57E-3*2
- SM434*24
- VZ14
- NK29B*12
- SM4655
- VZ13
- SM4654
- NK29B*2
- KW32E*12
- SW04*12
- LF57E-2*2
- VZ20*12
- VZ11*12
- VZ14
- KW13E*12
- KW09B*12
- NK30*2
- LF57E-3*2
- SK574*3
- NK30*2
- LF57E-2*2
- VZ09*2
- VZ07*2
- SK574*3
- KW33E*2

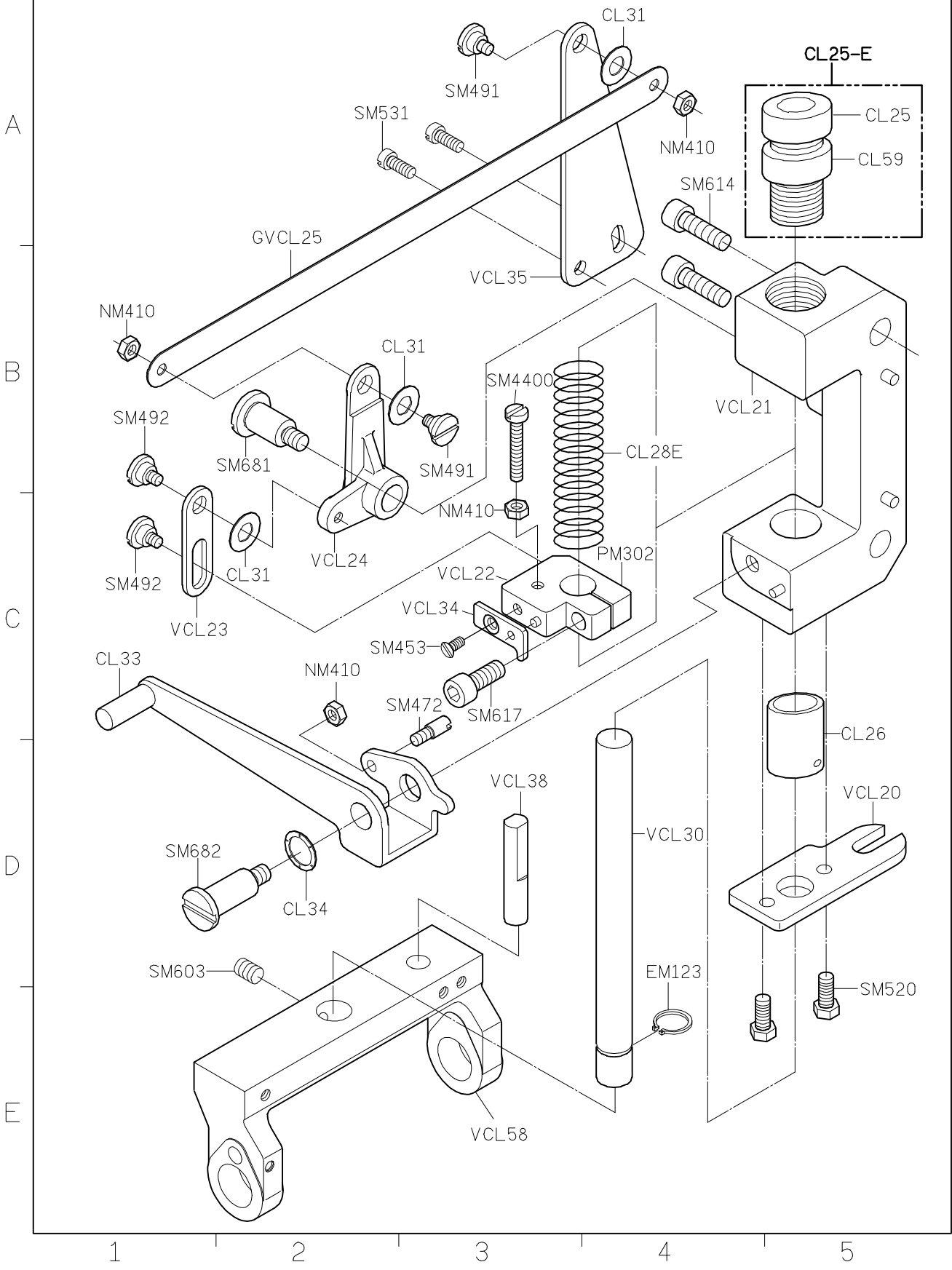
SIRUBA PARTS LIST	Series	Parts Group	Subclass / Remark	Page
	VC008	VAD		1/1
				Date
				2012/08/24



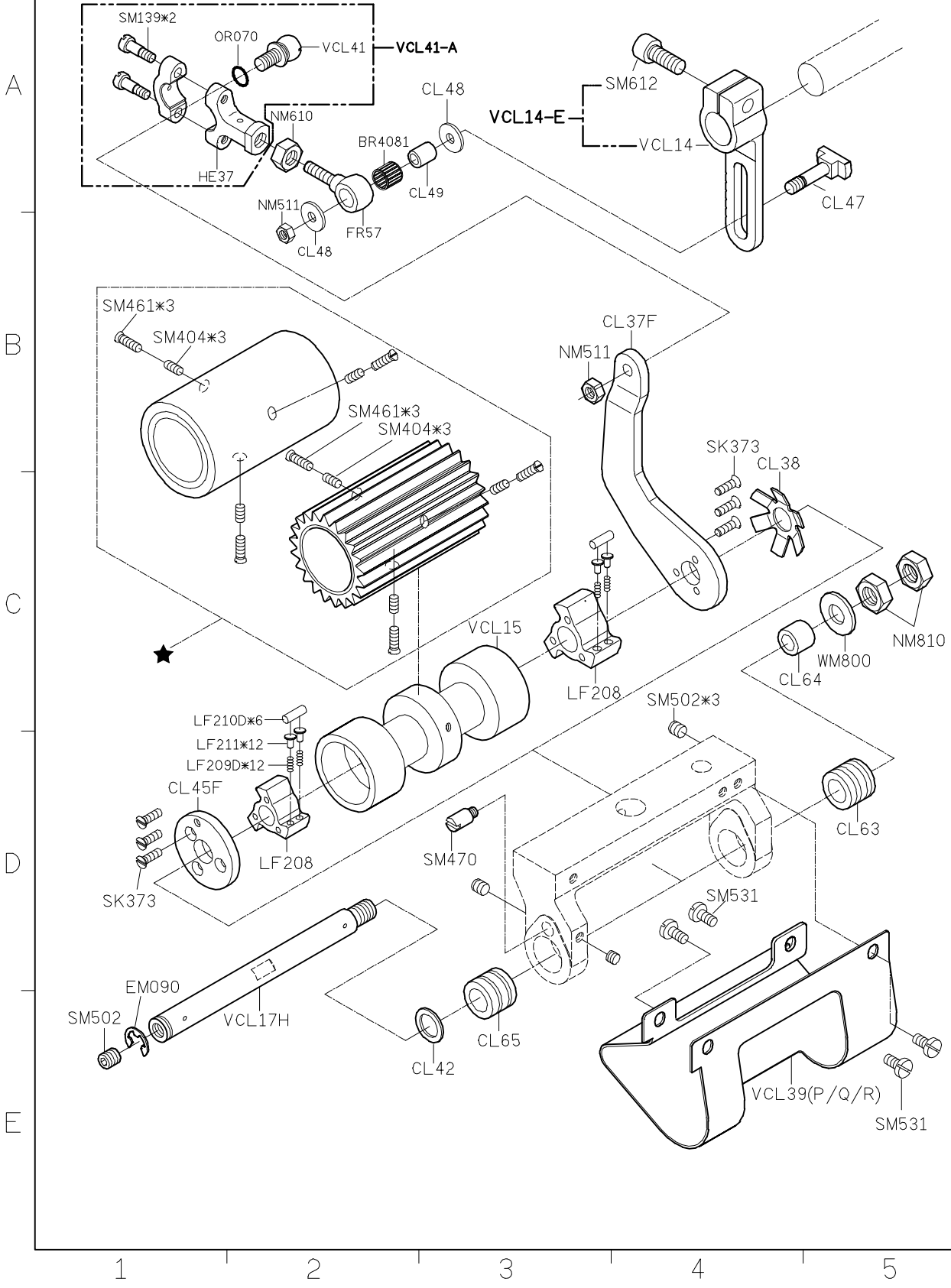
SIRUBA PARTS LIST	Series	Parts Group	Subclass / Remark	Page
	VC008	VCE		1/1
				Date
				2012/08/24



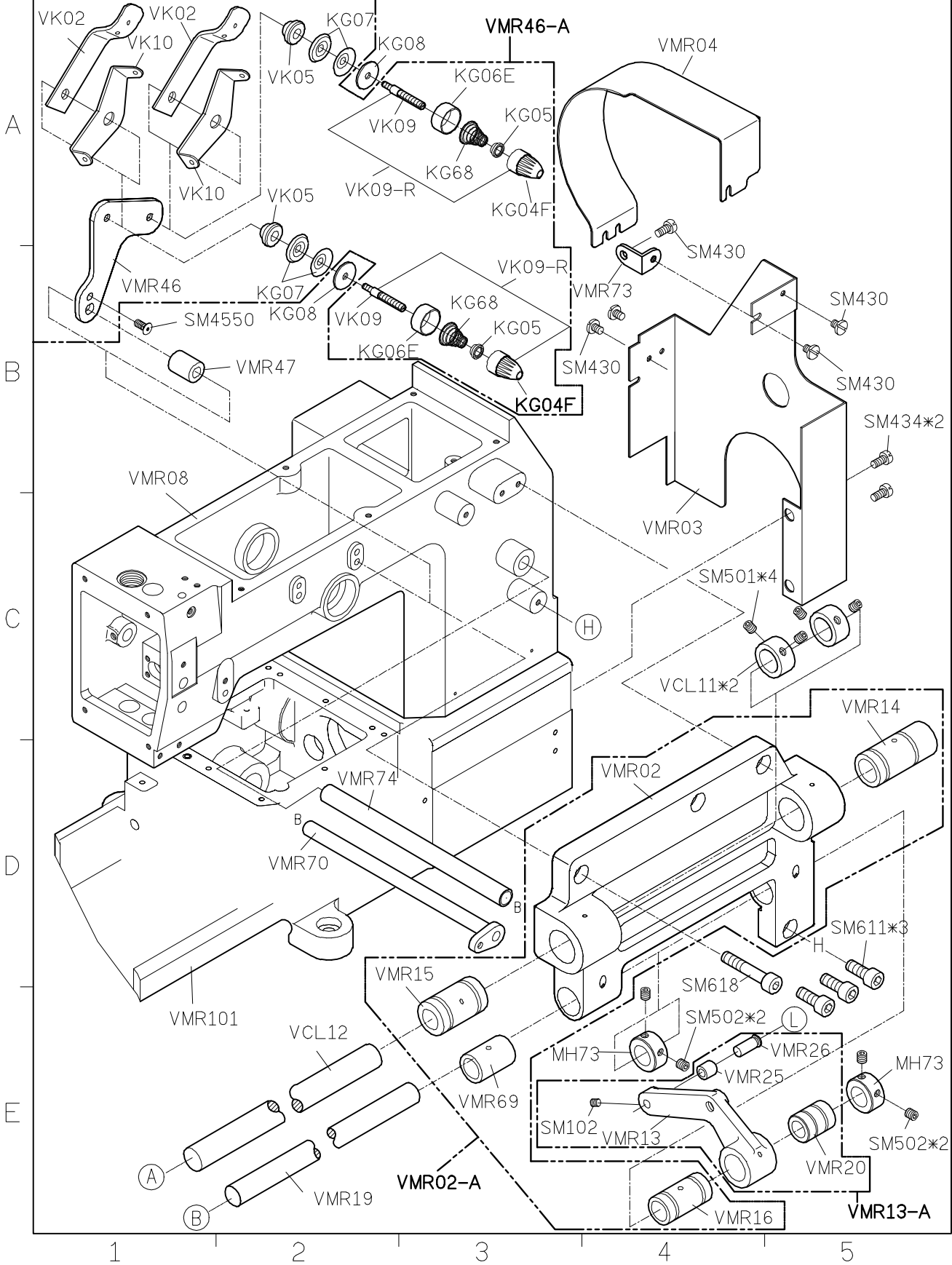
SIRUBA PARTS LIST	Series	Parts Group	Subclass / Remark	Page
	VC008	VCL		2/3
				Date
				2012/08/21



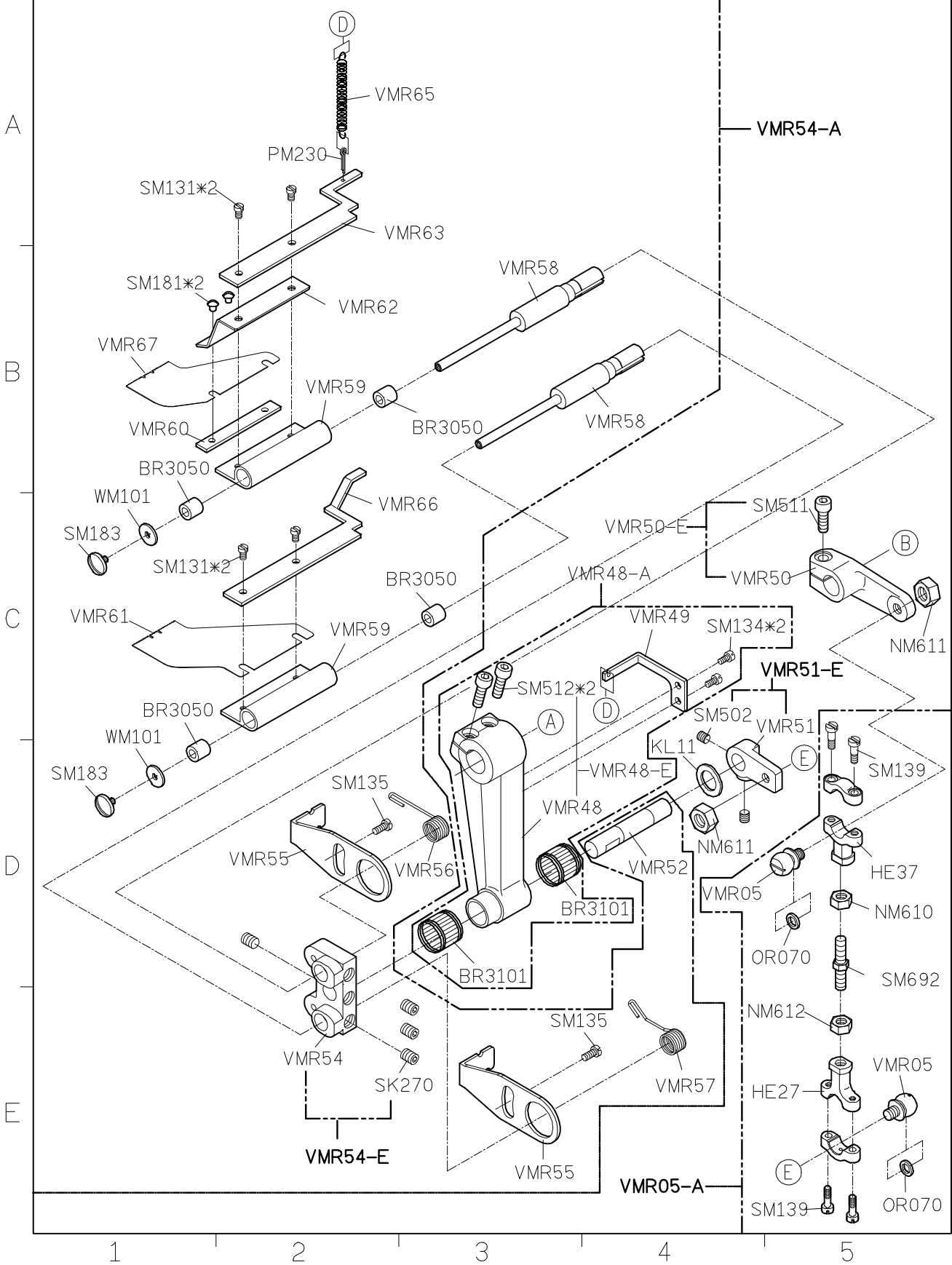
SIRUBA PARTS LIST	Series	Parts Group	Subclass / Remark	Page
	VC008	VCL		3/3
				Date
				2012/03/21



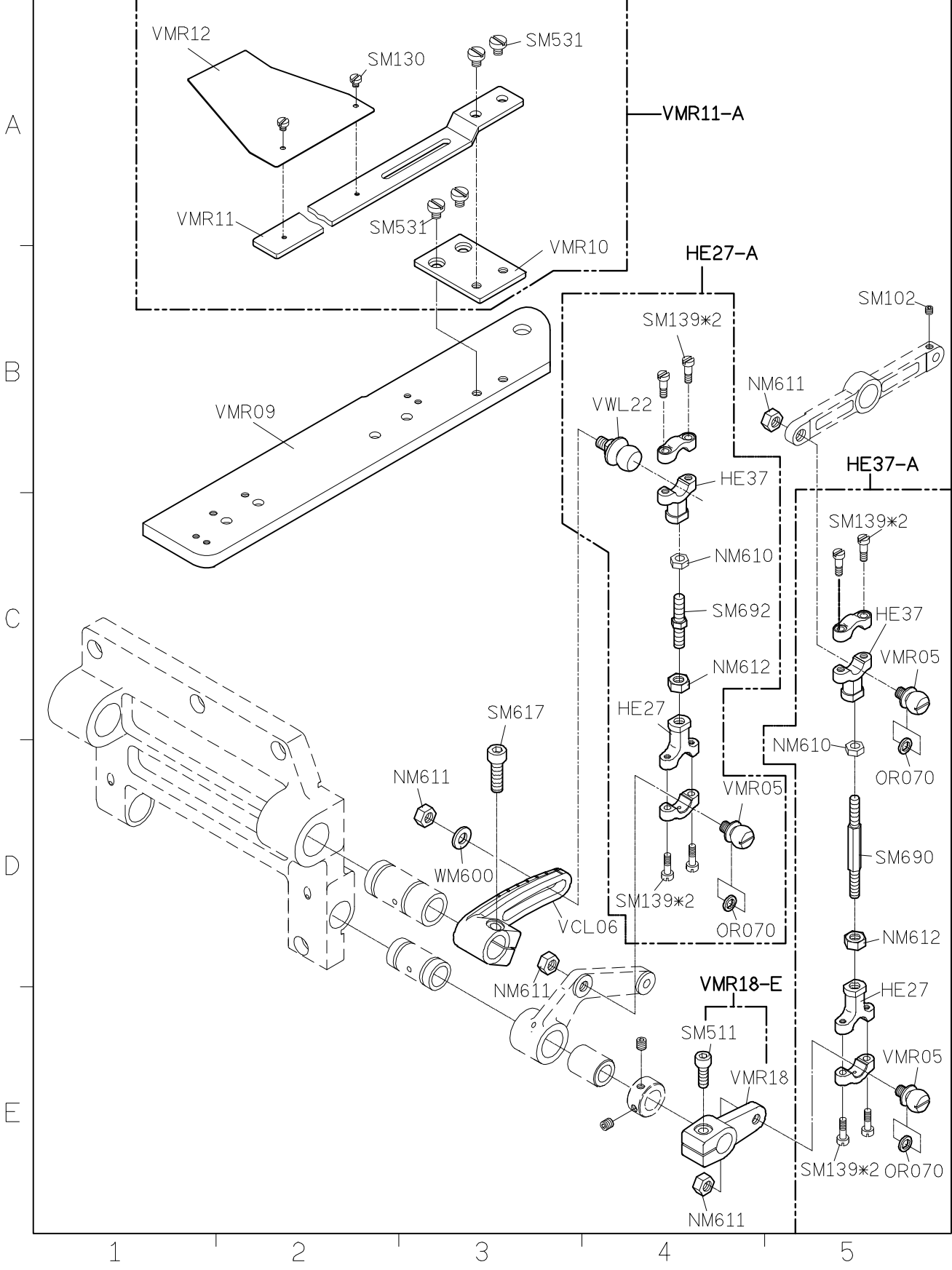
SIRUBA PARTS LIST	Series	Parts Group	Subclass / Remark	Page
	VC008	VMR		1/5
				Date
				2012/08/25



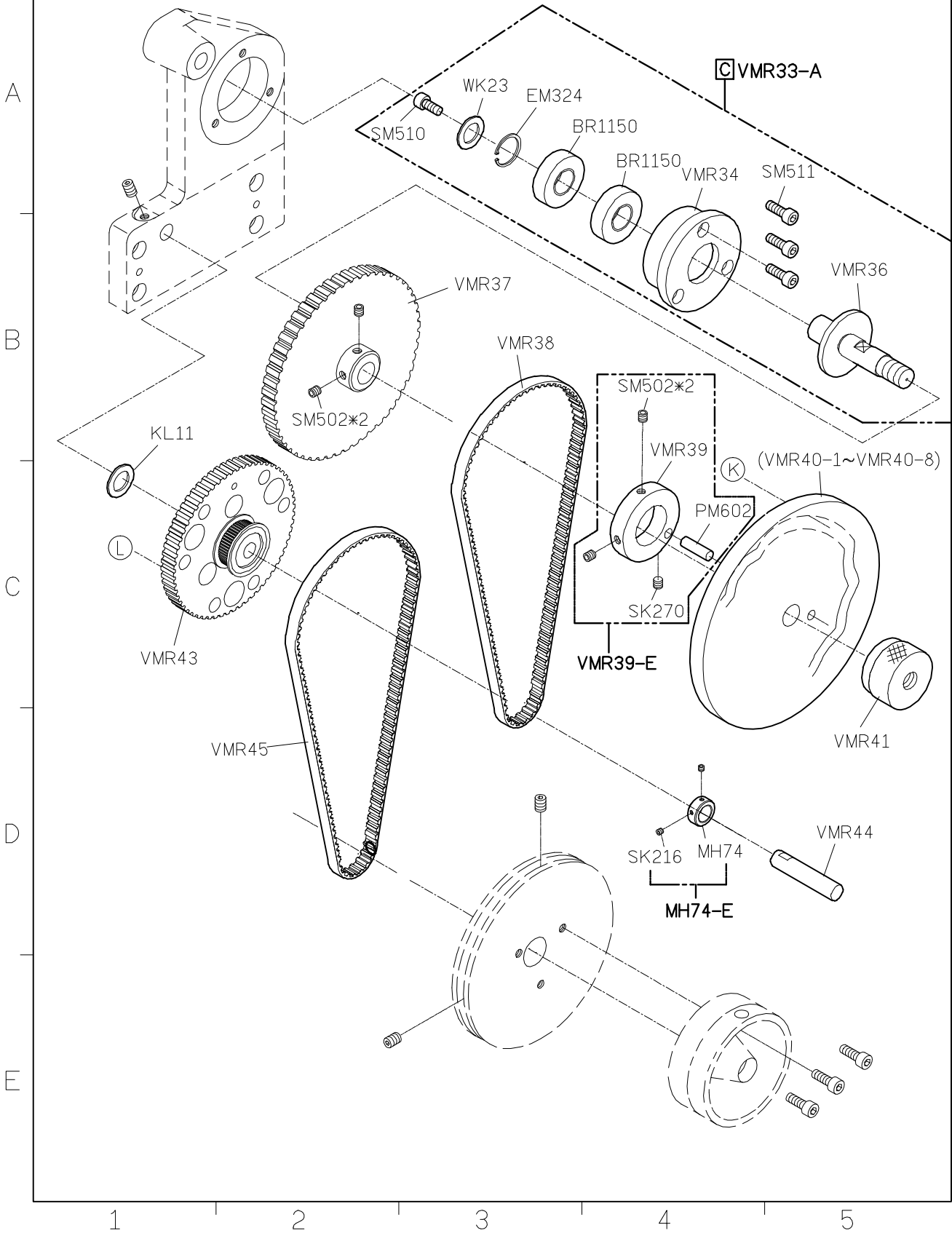
SIRUBA PARTS LIST	Series	Parts Group	Subclass / Remark	Page
	VC008	VMR		2/5
				Date
				2012/03/25



SIRUBA PARTS LIST	Series	Parts Group	Subclass / Remark	Page
	VC008	VMR		4/5
				Date
				2012/03/25

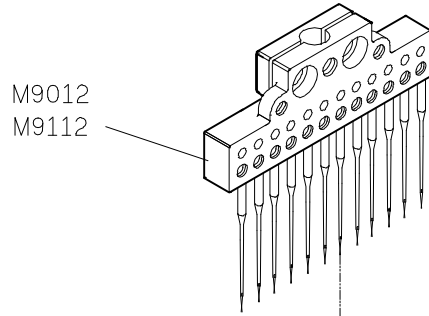


SIRUBA PARTS LIST	Series	Parts Group	Subclass / Remark	Page
	VC008	VMR		5/5
				Date
				2012/09/25

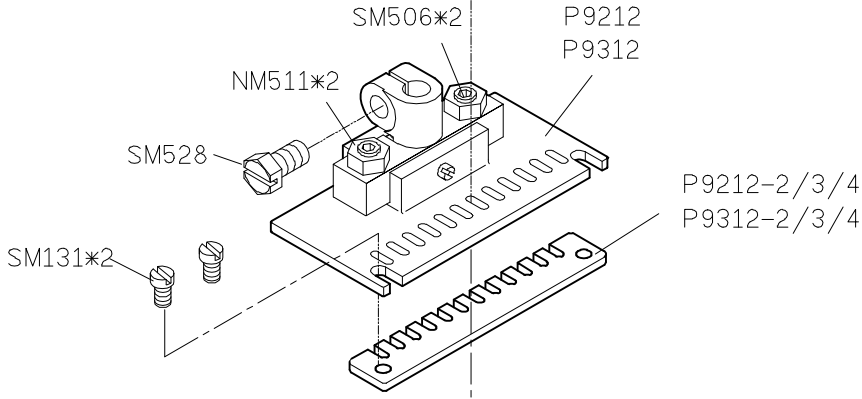


SIRUBA PARTS LIST	Series	Parts Group	Subclass / Remark	Page
	VC008	VPQK		1/5
				Date
				2012/08/24

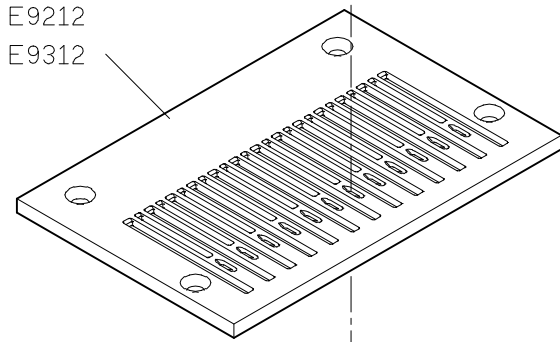
A



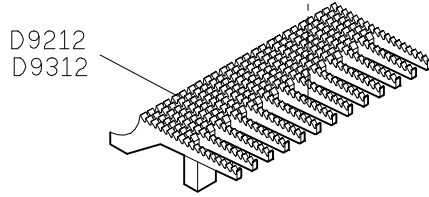
B



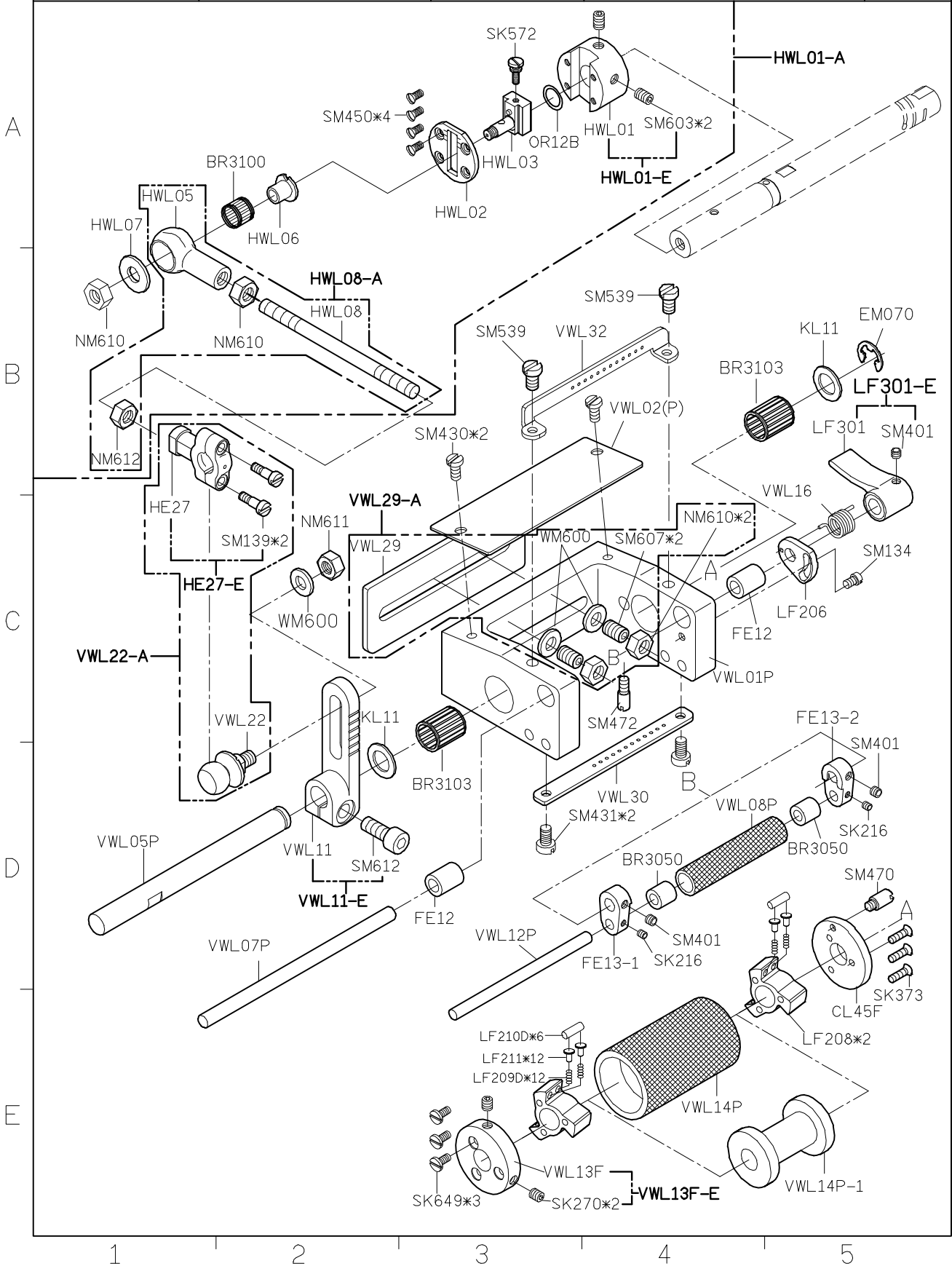
C



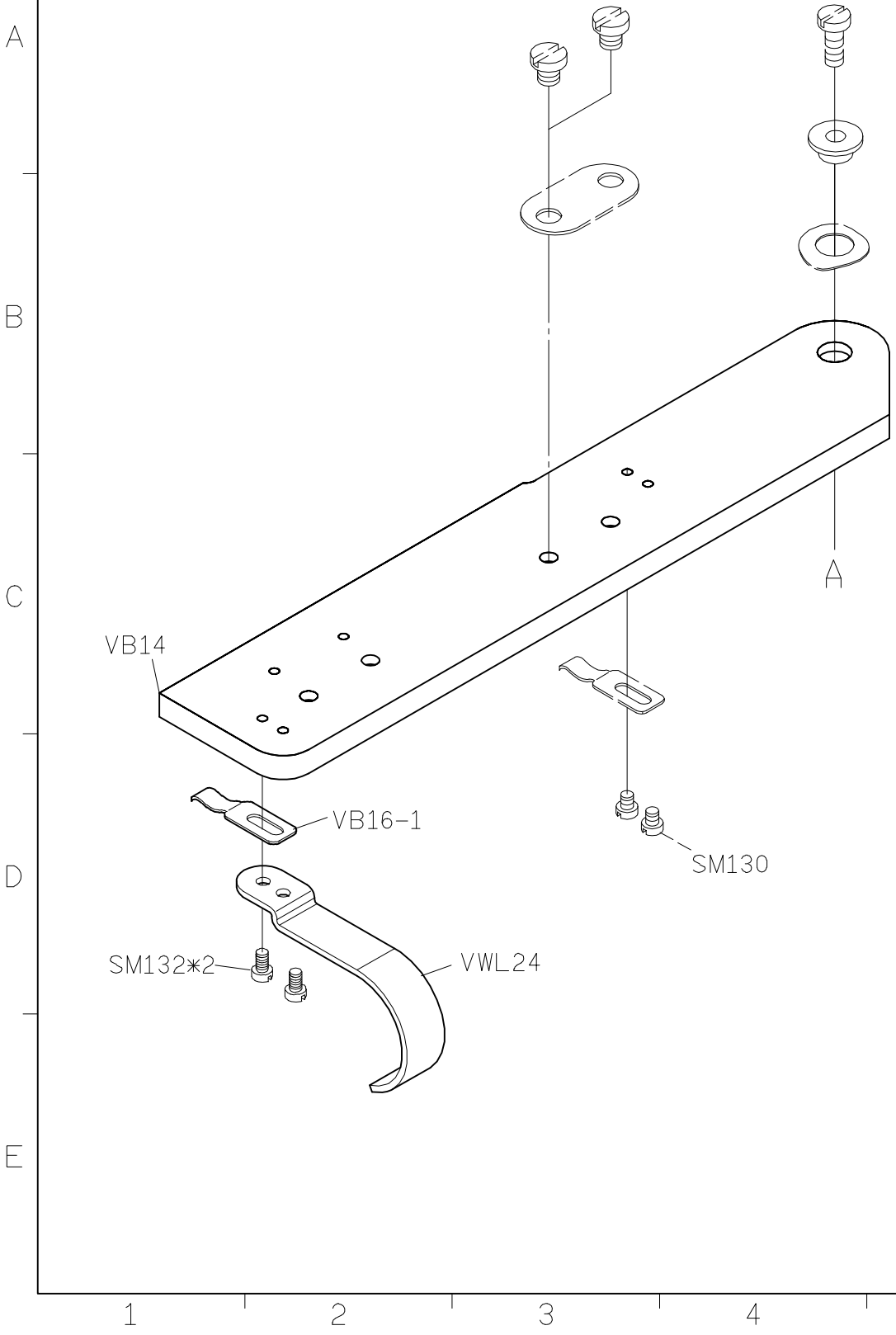
D



E



SIRUBA PARTS LIST	Series	Parts Group	Subclass / Remark	Page
	VC008	VPQK		3/5
				Date
				2012/08/24



SIRUBA PARTS LIST	Series	Parts Group	Subclass / Remark	Page
	VC008	VPQK		4/5
				Date
				2012/08/24

OPTION:VZ09Q-A1(1/2)

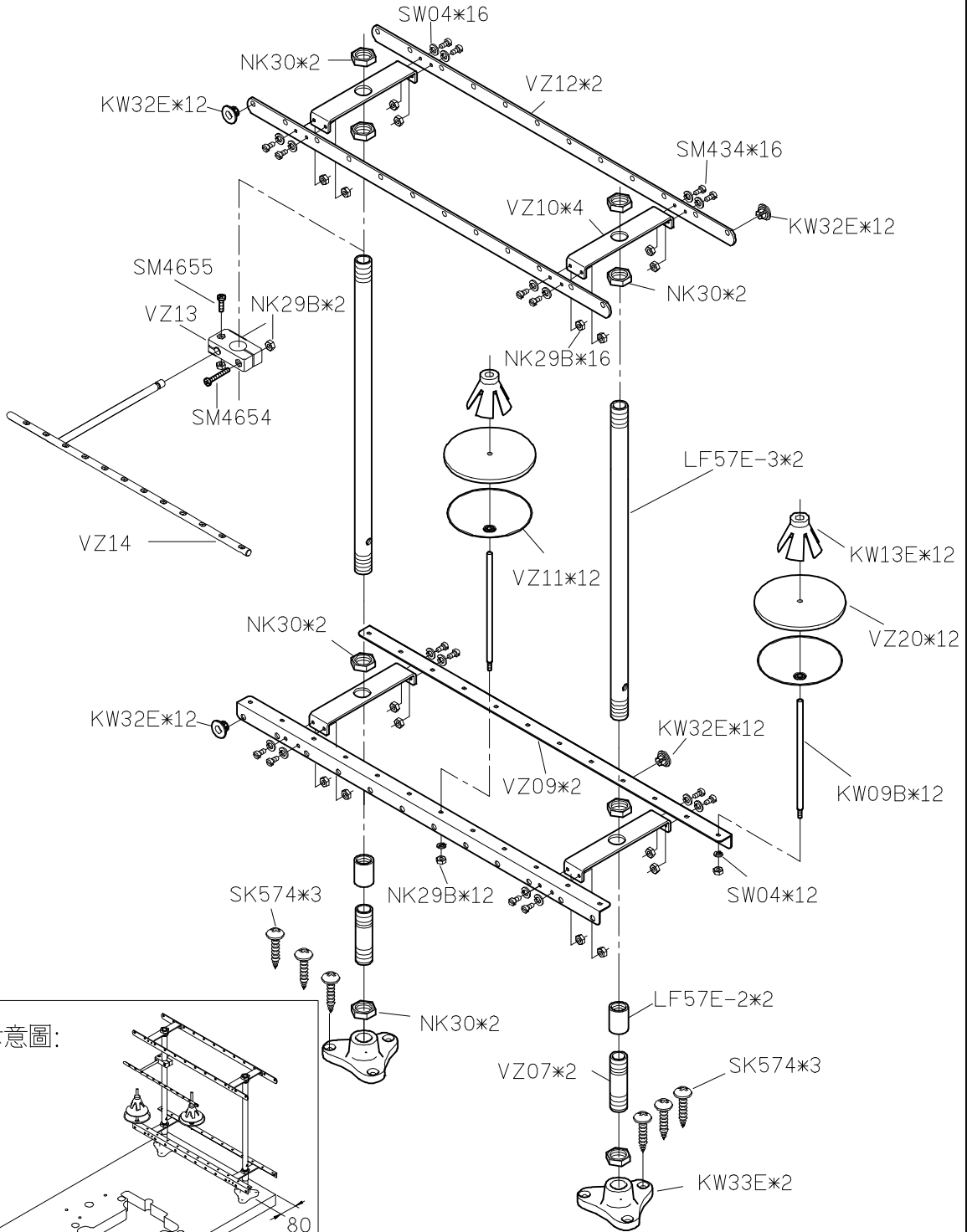
A

B

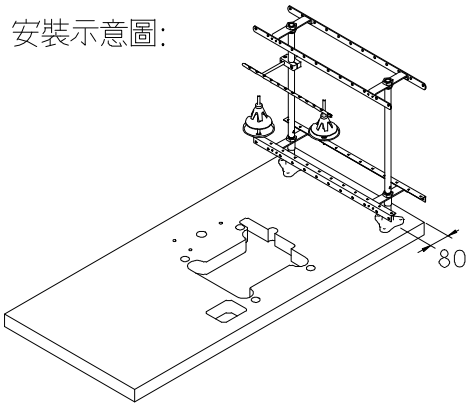
C

D

E



安裝示意圖:



1

2

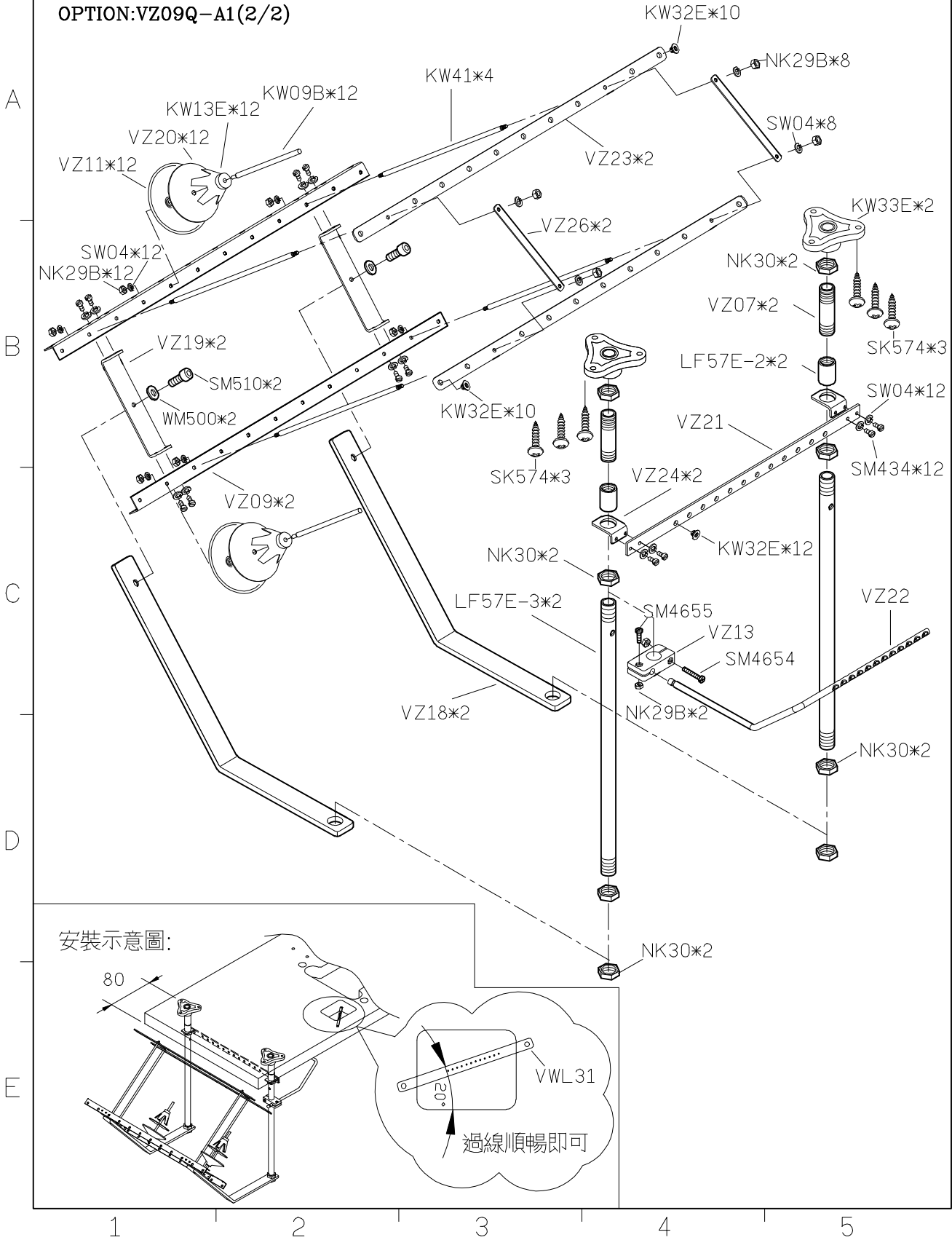
3

4

5

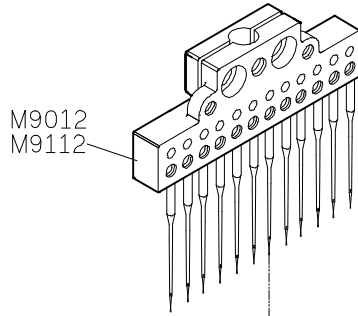
SIRUBA PARTS LIST	Series	Parts Group	Subclass / Remark	Page
	VC008	VPQK		5/5
				Date
				2012/08/24

OPTION:VZ09Q-A1(2/2)

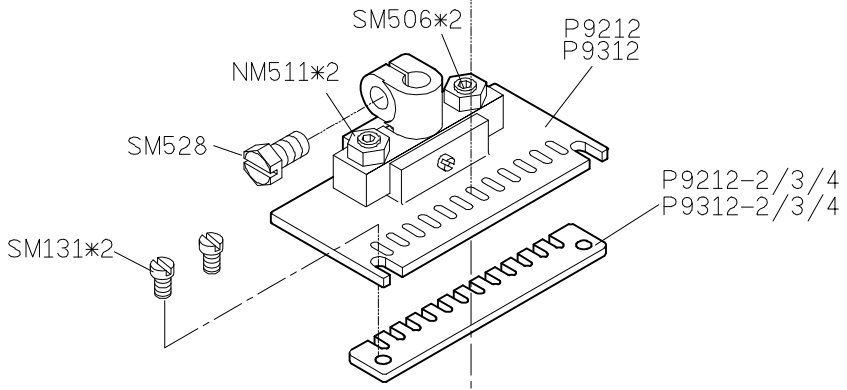


SIRUBA PARTS LIST	Series	Parts Group	Subclass / Remark	Page
	VC008	VPQ		1/2
				Date
				2012/08/24

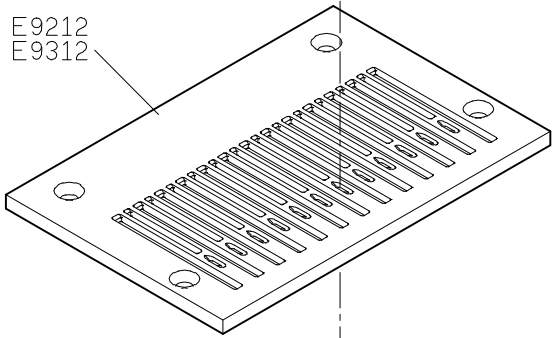
A



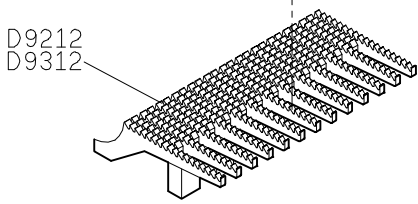
B



C



D



E

1

2

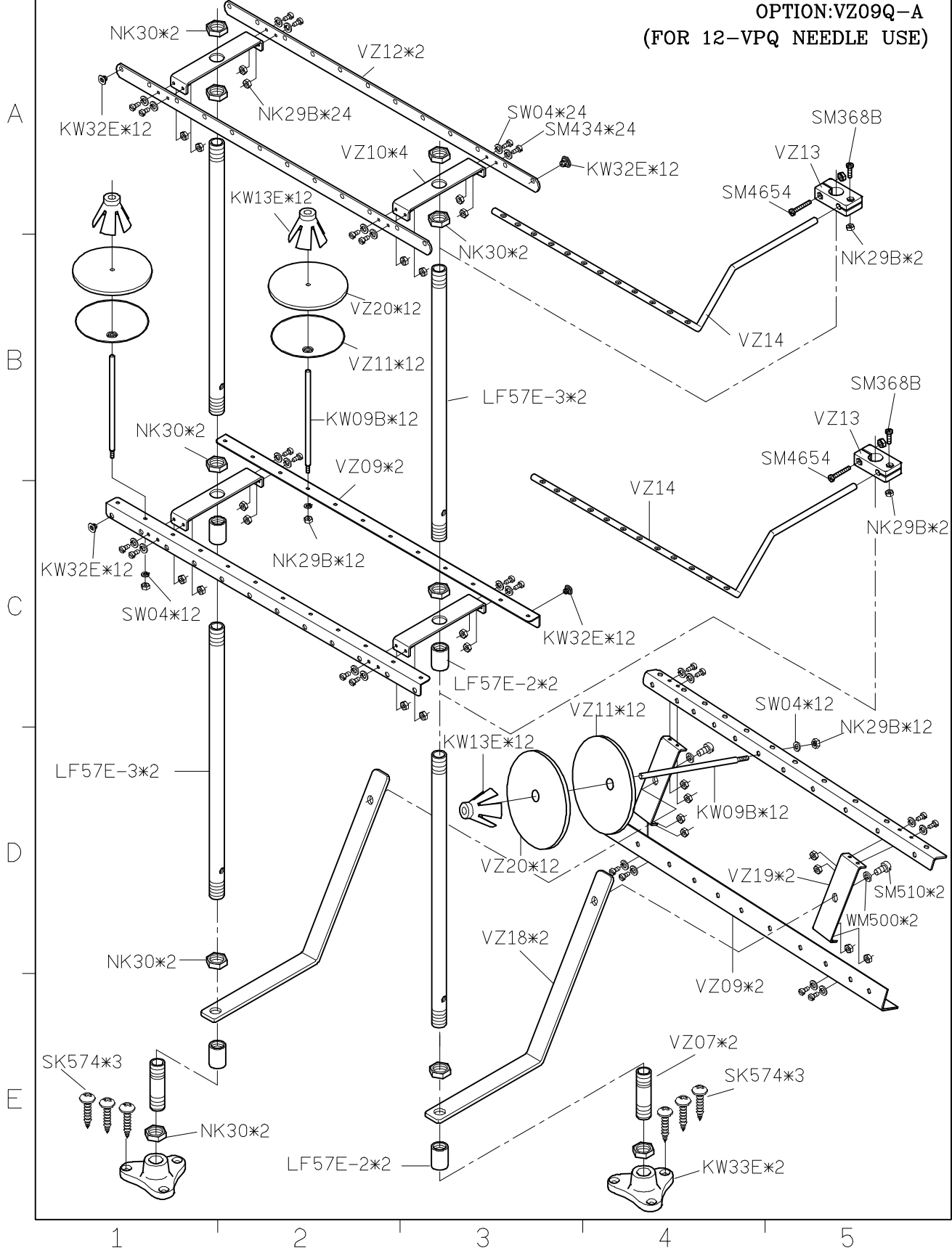
3

4

5

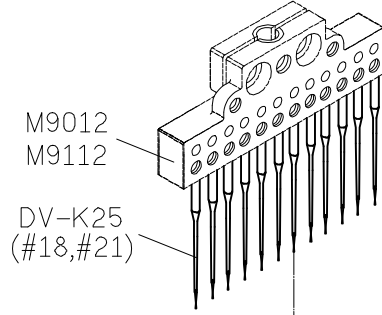
SIRUBA PARTS LIST	Series	Parts Group	Subclass / Remark	Page
	VC008	VPQ		2/2
				Date
				2012/08/24

OPTION:VZ09Q-A
(FOR 12-VPQ NEEDLE USE)

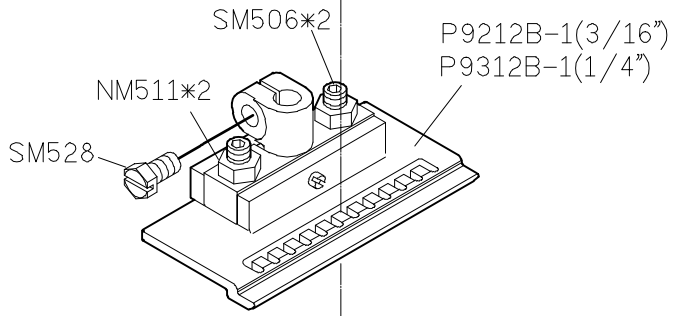


SIRUBA PARTS LIST	Series	Parts Group	Subclass / Remark	Page
	VC008	VPS		1/3
				Date
				2012/08/24

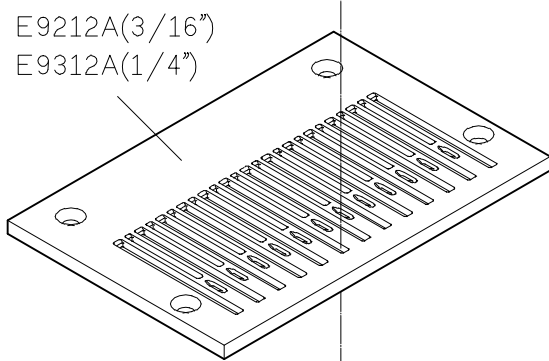
A



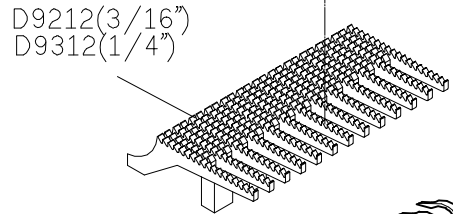
B



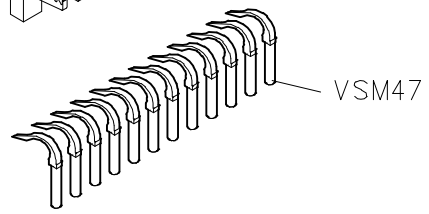
C



D



E



SIRUBA PARTS LIST	Series	Parts Group	Subclass / Remark	Page
	VC008	VPS		2/3
				Date
				2012/08/24

OPTION:VZ09Q-A1(1/2)

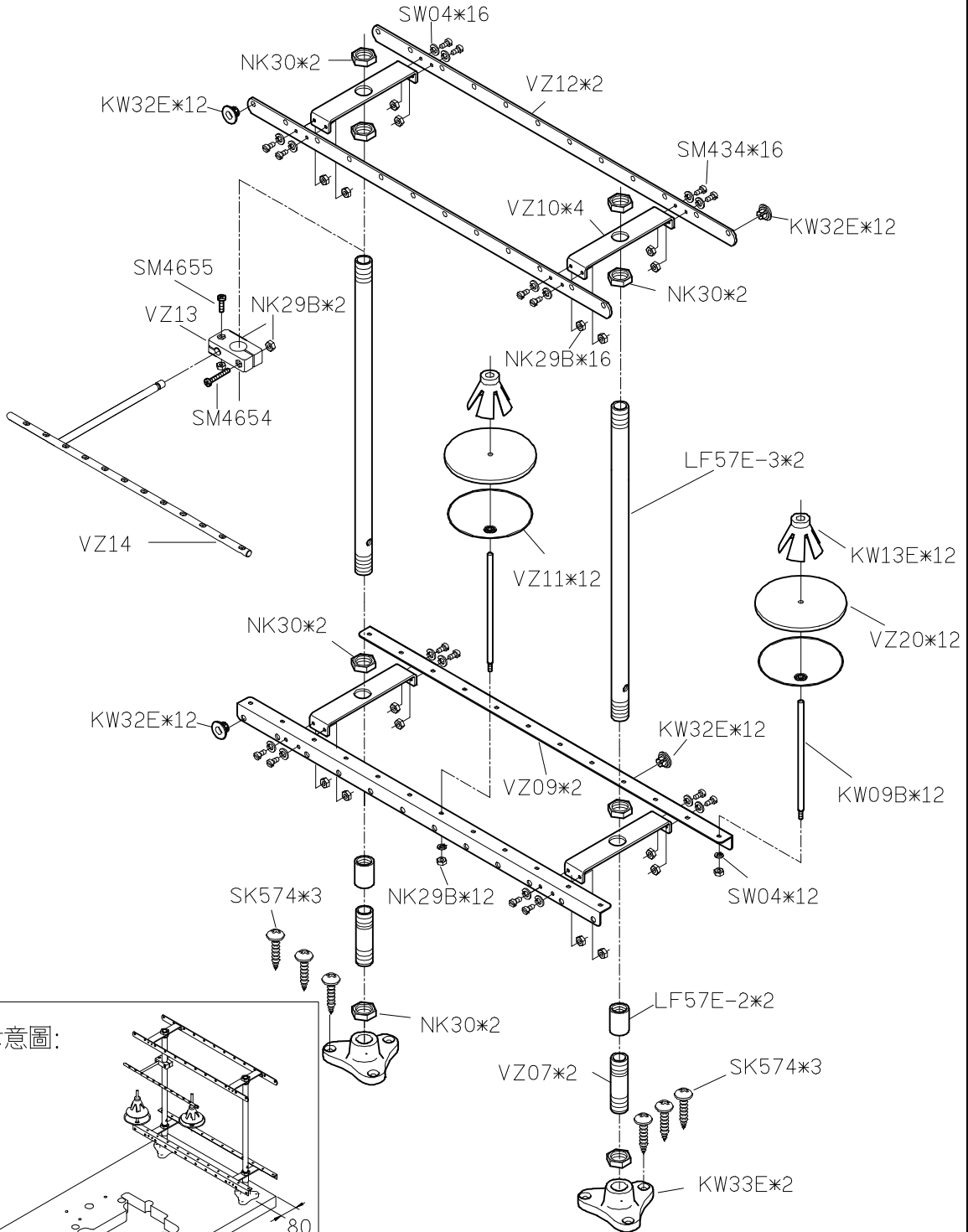
A

B

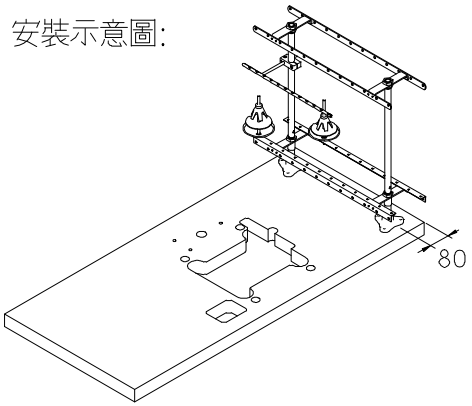
C

D

E



安裝示意圖:



1

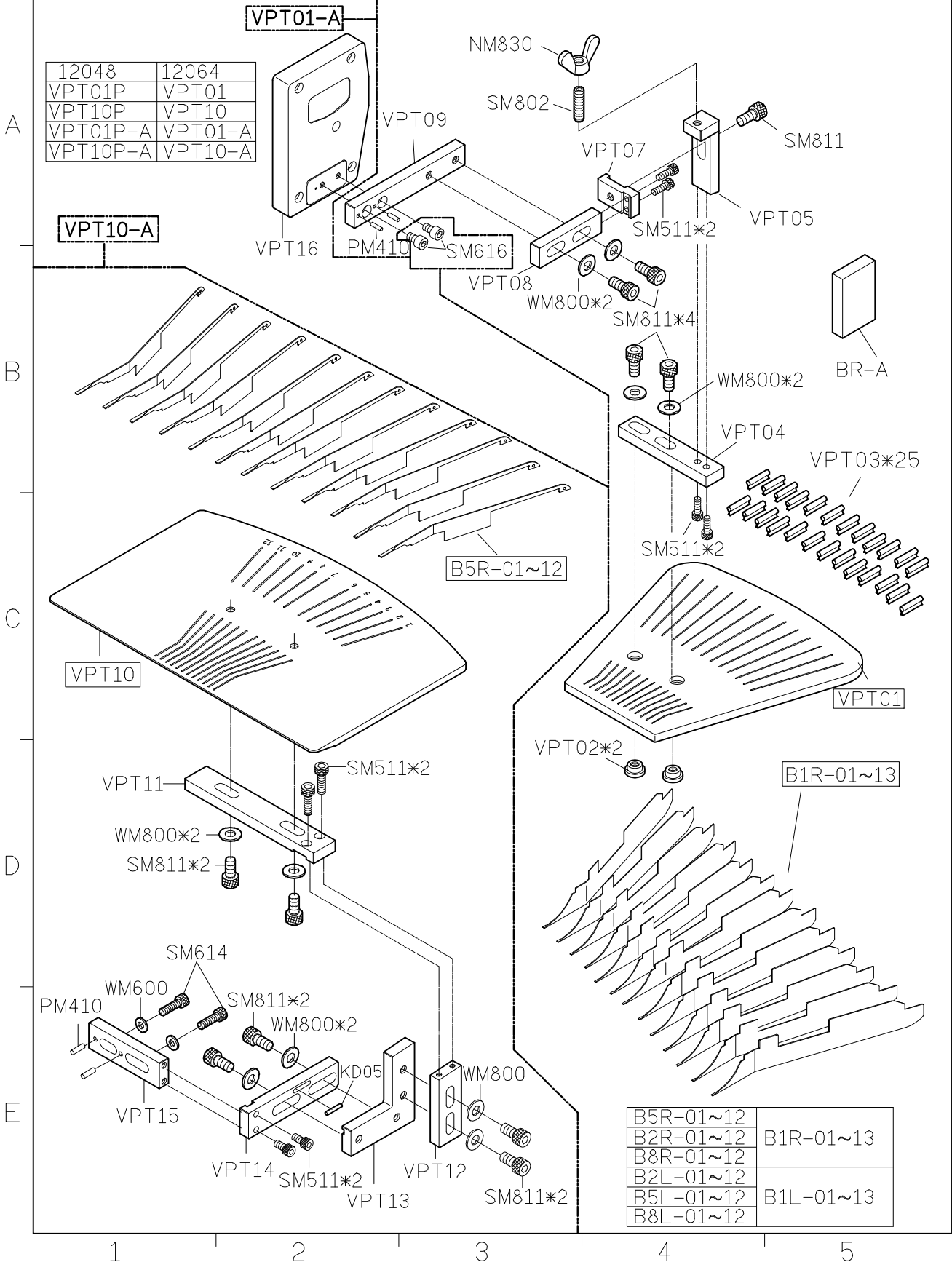
2

3

4

5

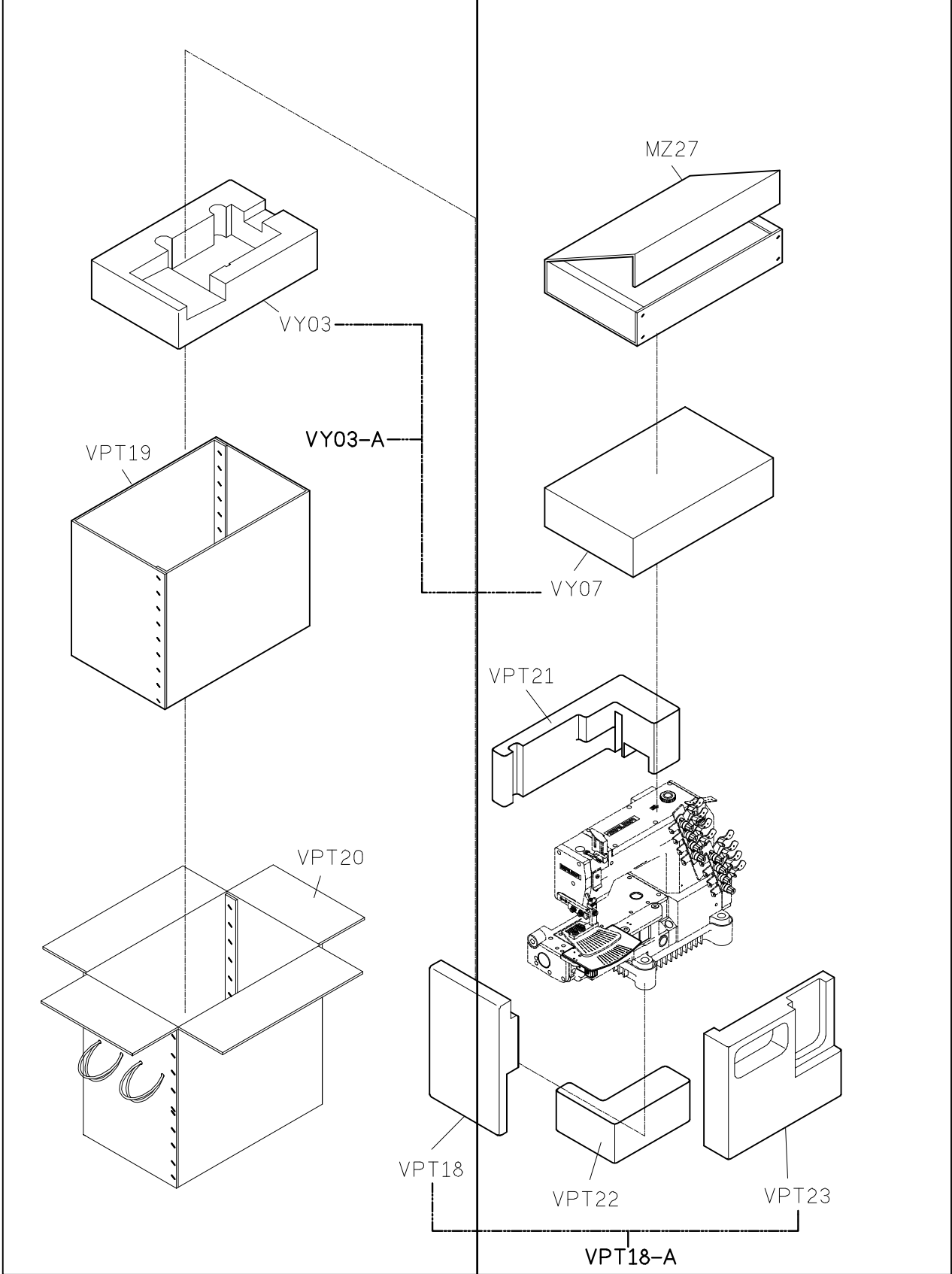
SIRUBA PARTS LIST	Series	Parts Group	Subclass / Remark	Page
	VC008	VPT		1/2
				Date
				2012/08/24



12048	12064
VPT01P	VPT01
VPT10P	VPT10
VPT01P-A	VPT01-A
VPT10P-A	VPT10-A

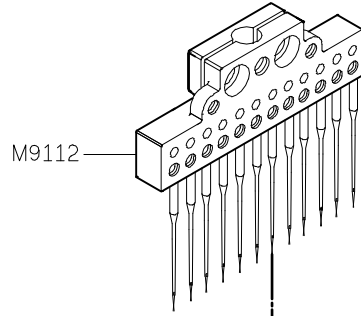
B5R-01~12	B1R-01~13
B2R-01~12	B1L-01~13
B8R-01~12	
B2L-01~12	
B5L-01~12	
B8L-01~12	

SIRUBA SEQUENCE LIST	Series	Parts Group	Subclass / Remark	Page
	VC008	VPT		2/2
				Date
				2012/03/24

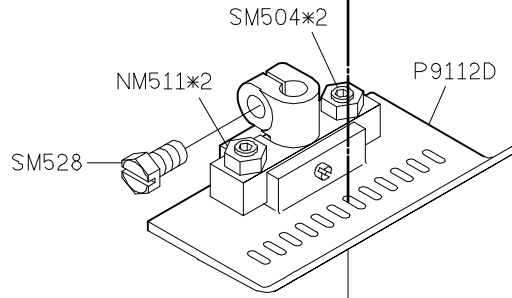


SIRUBA PARTS LIST	Series	Parts Group	Subclass / Remark	Page
	VC008	VSC		1/7
				Date
				2012/08/21

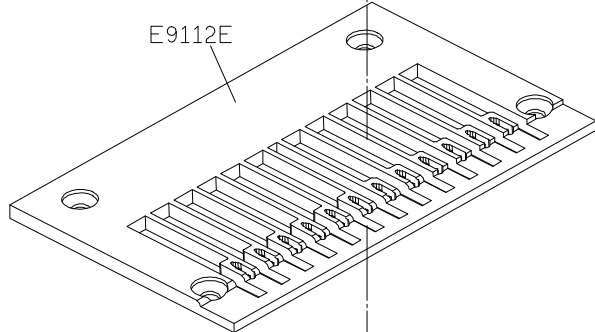
A



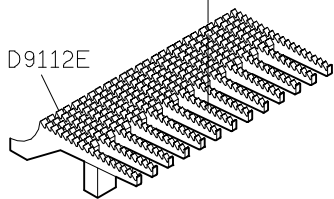
B



C



D



E

1

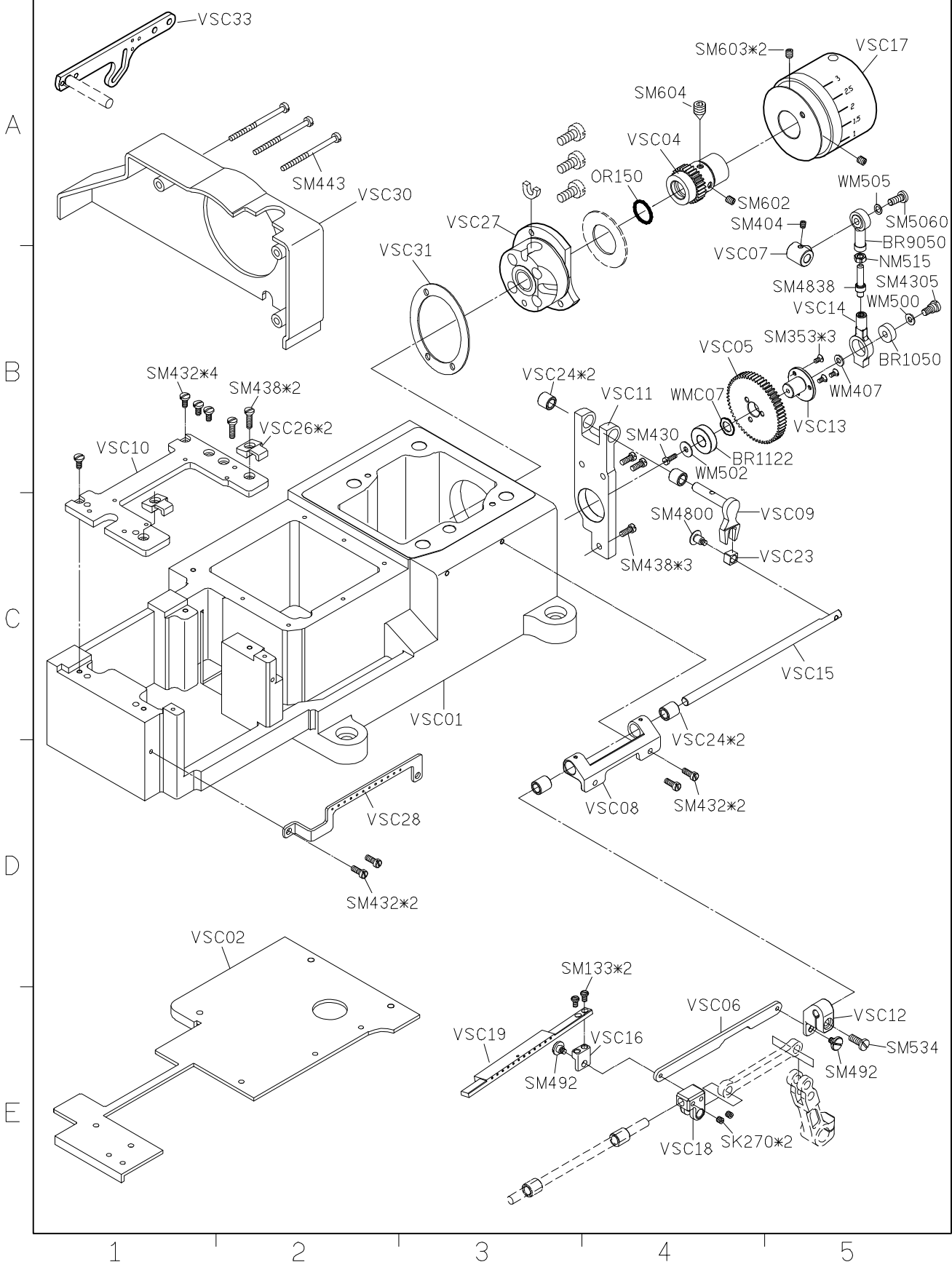
2

3

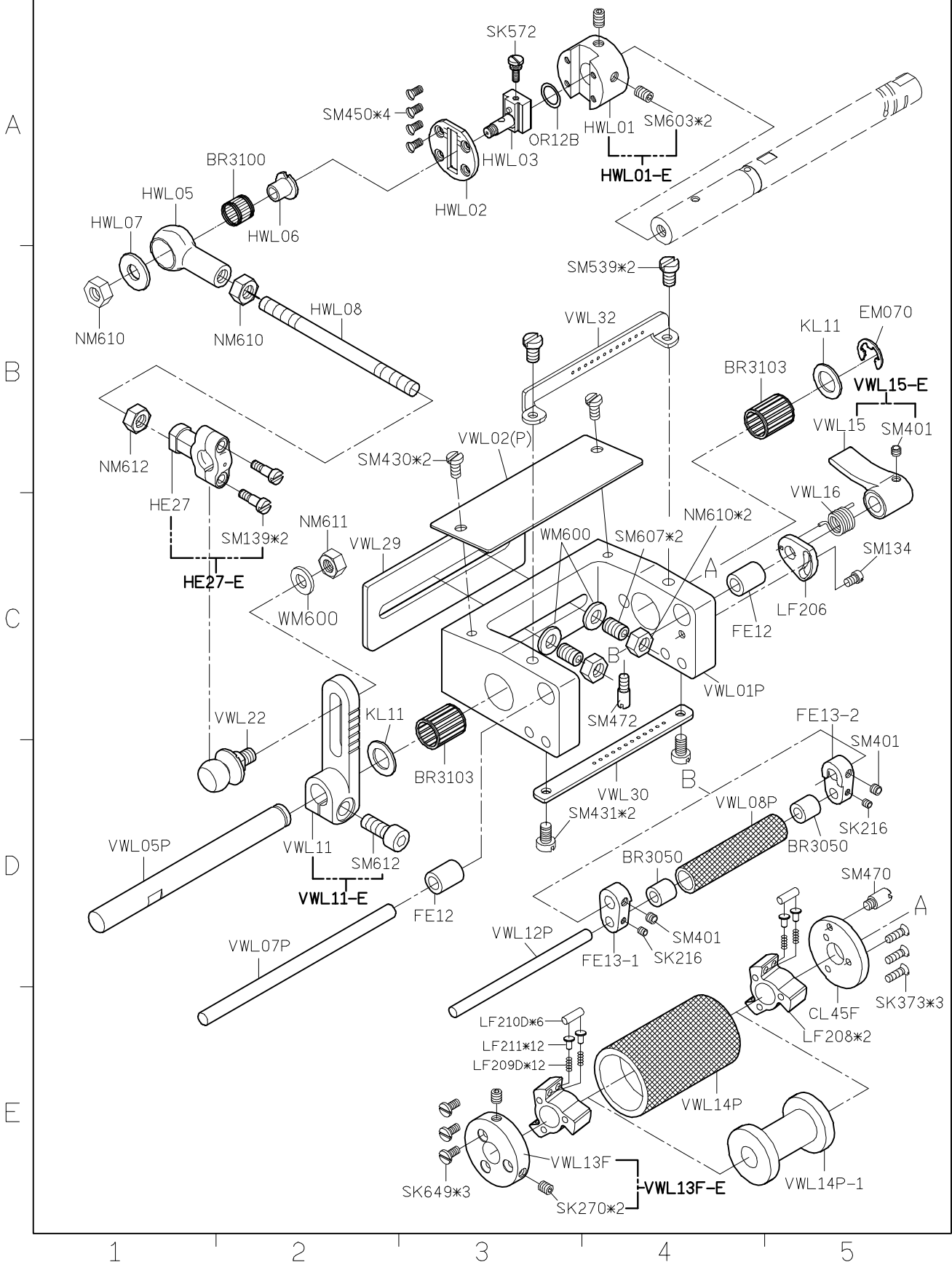
4

5

SIRUBA PARTS LIST	Series	Parts Group	Subclass / Remark	Page
	VC008	VSC		2/7
				Date
				2012/08/21



SIRUBA PARTS LIST	Series	Parts Group	Subclass / Remark	Page
	VC008	VSC		3/7
				Date
				2012/08/21



SIRUBA PARTS LIST	Series	Parts Group	Subclass / Remark	Page
	VC008	VSC		4/7
				Date
				2012/08/21

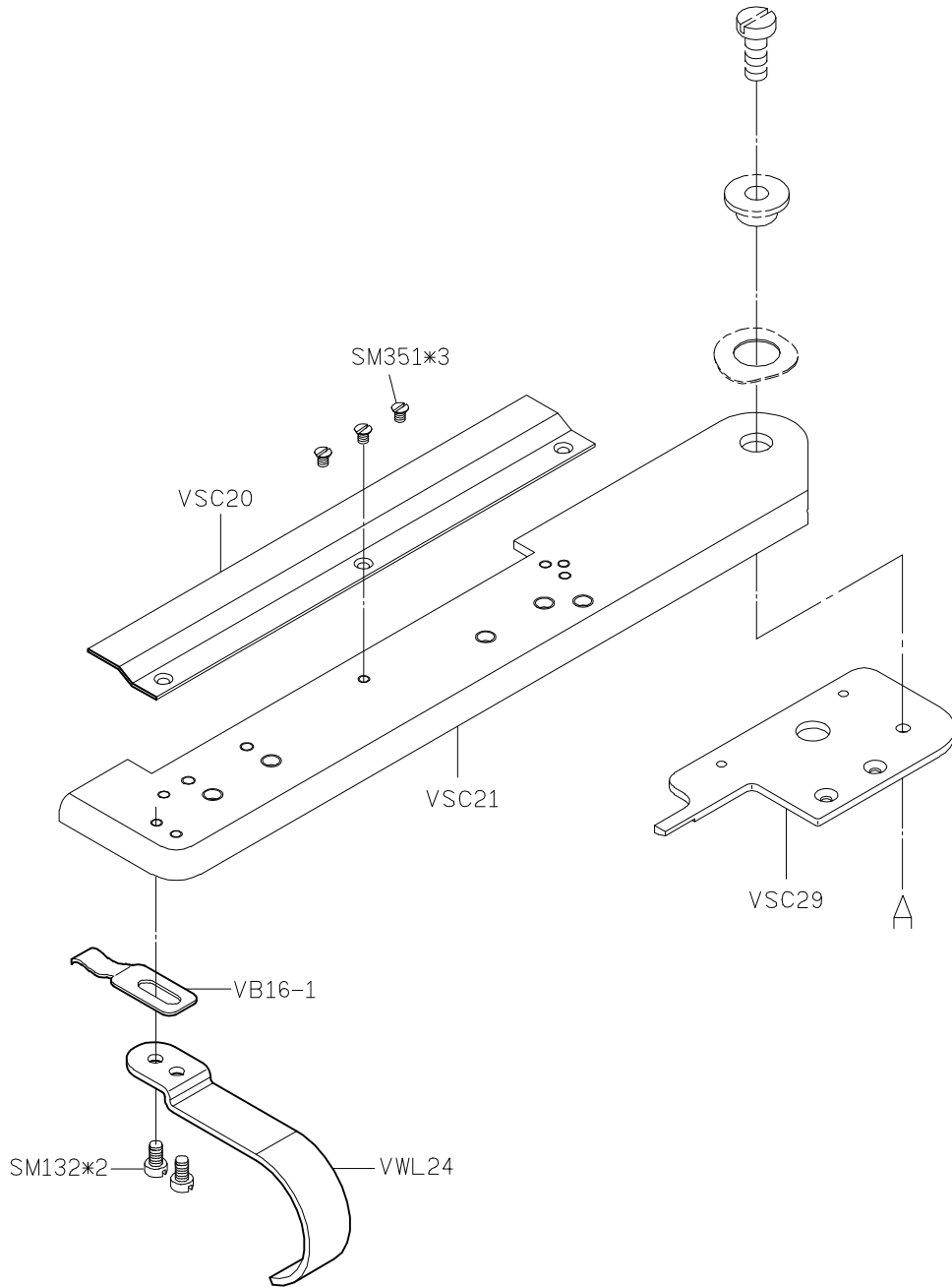
A

B

C

D

E



1

2

3

4

5

SIRUBA PARTS LIST	Series	Parts Group	Subclass / Remark	Page
	VC008	VSC		5/7
				Date
				2012/08/21

OPTION:VZ09C-A(1/2)

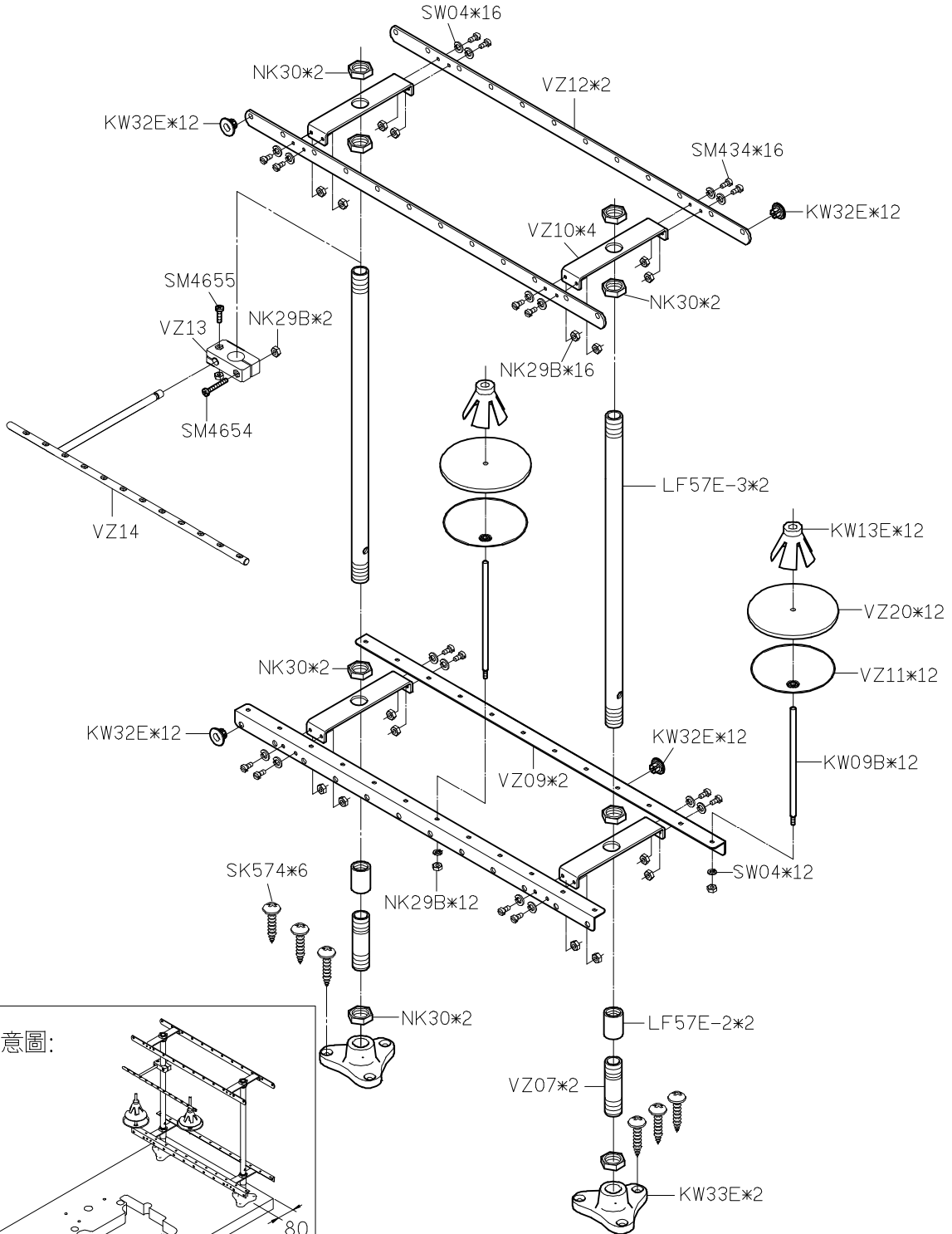
A

B

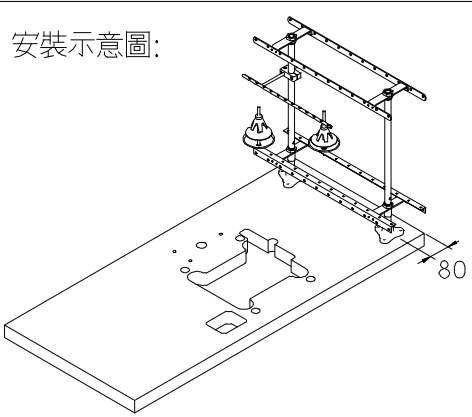
C

D

E



安裝示意圖:



1

2

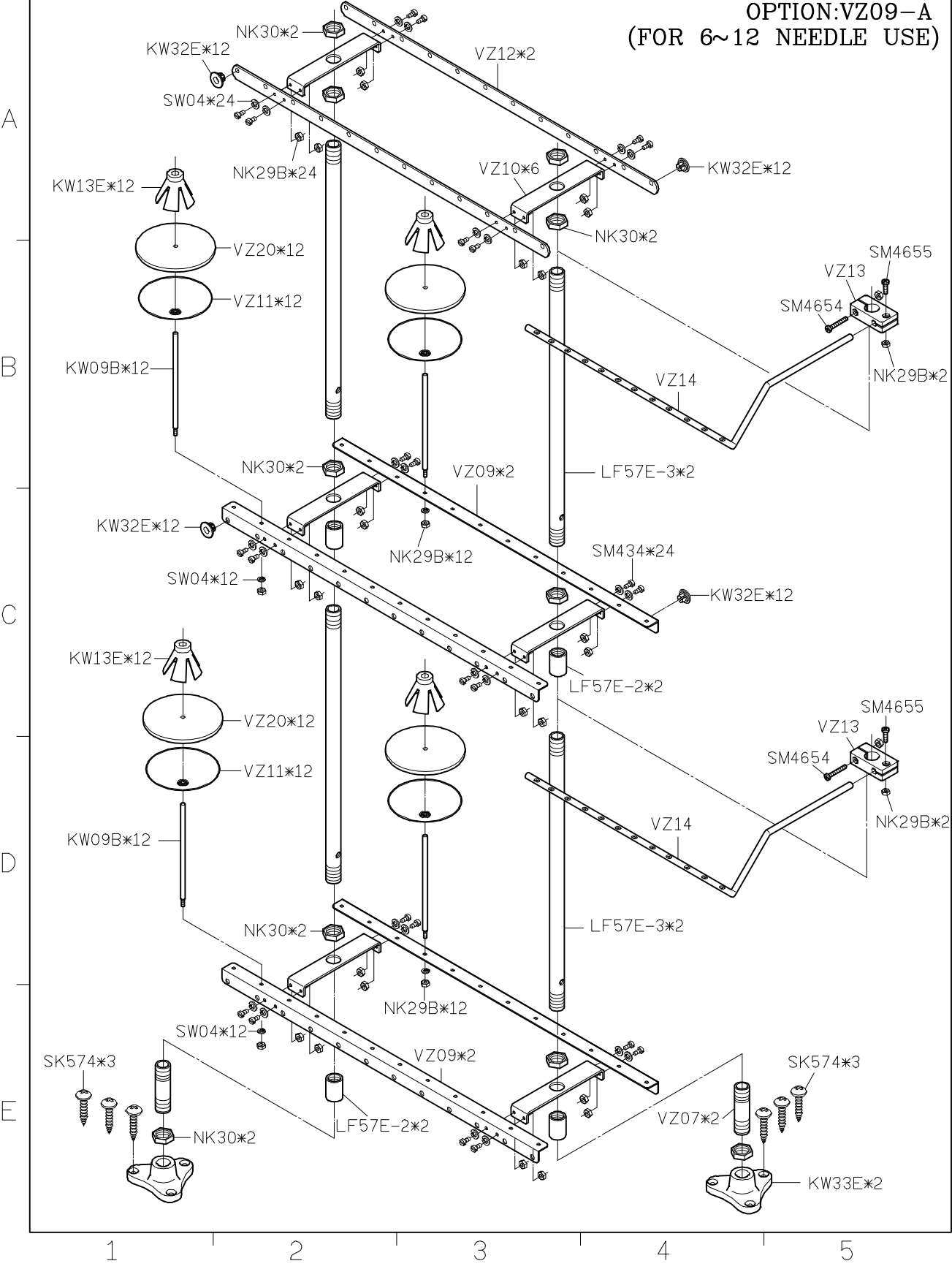
3

4

5

SIRUBA PARTS LIST	Series	Parts Group	Subclass / Remark	Page
	VC008	VSC		7/7
				Date
				2012/08/21

OPTION:VZ09-A
(FOR 6~12 NEEDLE USE)



SIRUBA PARTS LIST	Series		Parts Group	Subclass / Remark	Page
	VC008		VSF		1/1
					Date
					2012/03/21

規格 SVB CLASS 代 號 CODE	產品寬 FINISHED SIZE	入布寬 TAPE SIZE	針 距 NEEDLE HOLDER	機 種 MODEL
B529	13/8"	23/8"	1/4- 3/4- 1/4	0464-191
B529P	11/2"	21/2"	3/16- 1- 3/16	0448-254
B529Q	15/8"	25/8"	1/4- 1- 1/4	0464-254

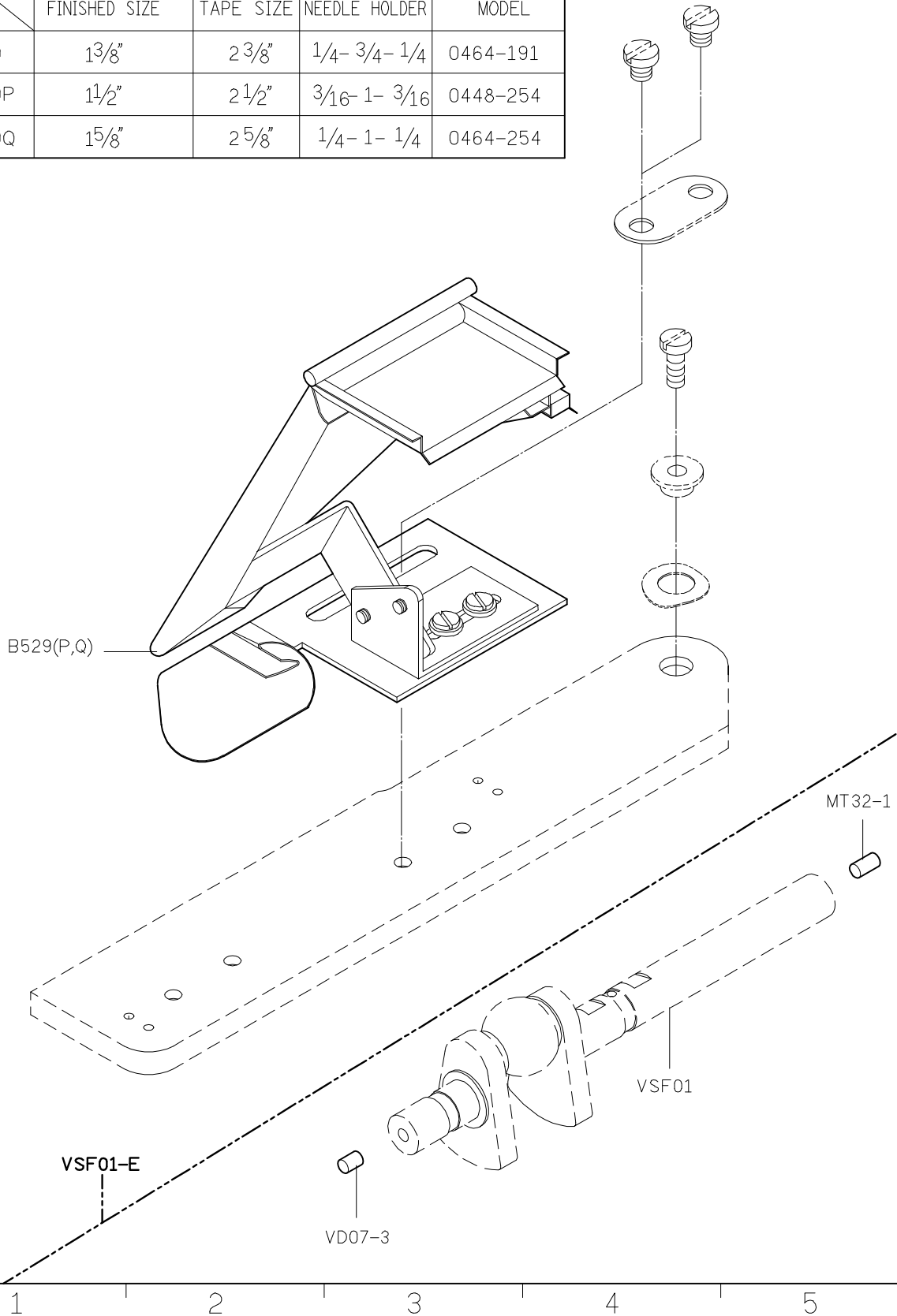
A

B

C

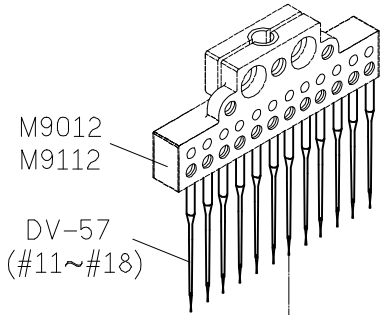
D

E

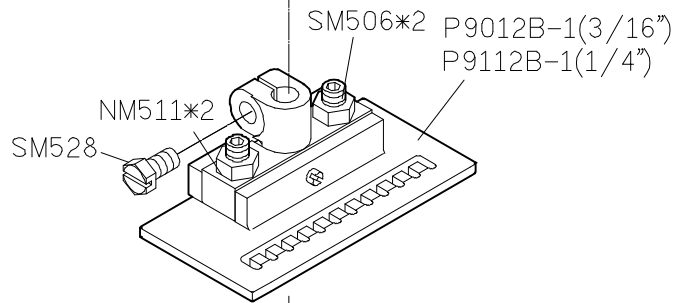


SIRUBA PARTS LIST	Series	Parts Group	Subclass / Remark	Page
	VC008	VSM		1/15
				Date
				2012/08/23

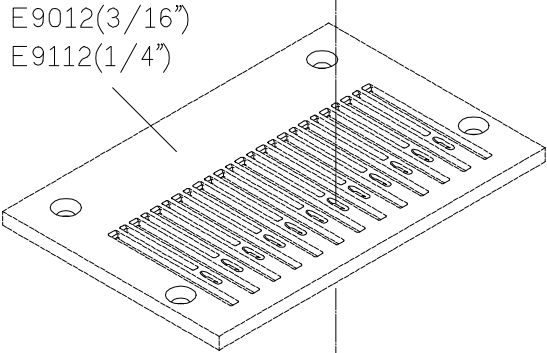
A



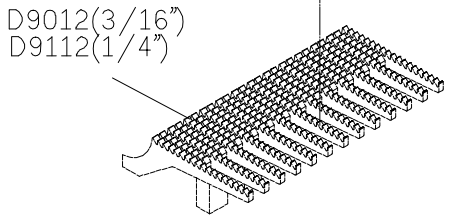
B



C



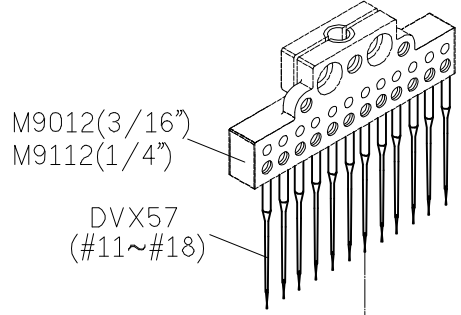
D



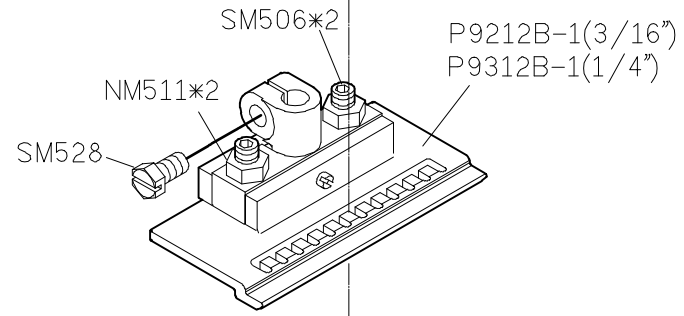
E

SIRUBA PARTS LIST	Series	Parts Group	Subclass / Remark	Page
	VC008	VSSM		2/15
				Date
				2012/08/23

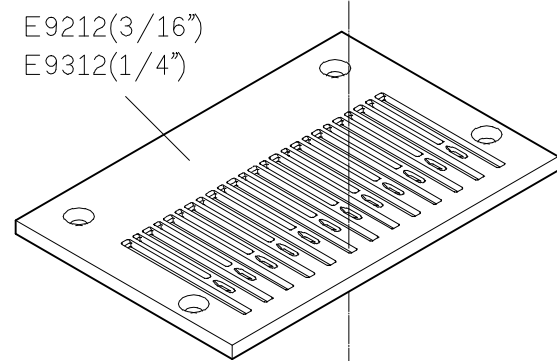
A



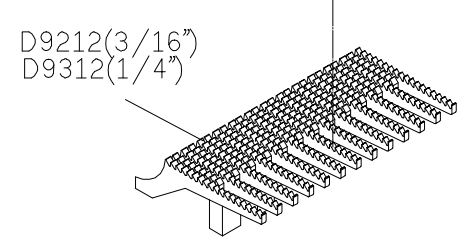
B



C



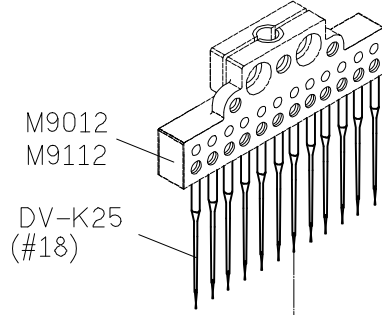
D



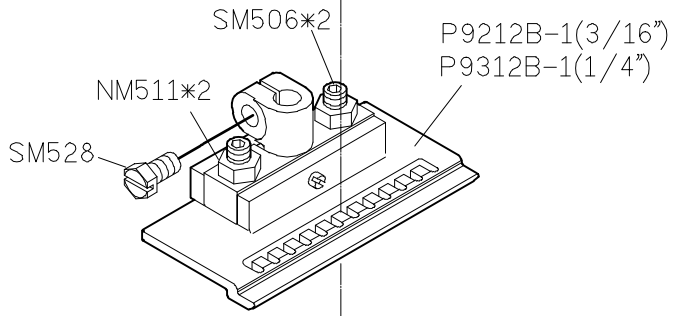
E

SIRUBA PARTS LIST	Series	Parts Group	Subclass / Remark	Page
	VC008	VSQ		3/15
				Date
				2012/08/23

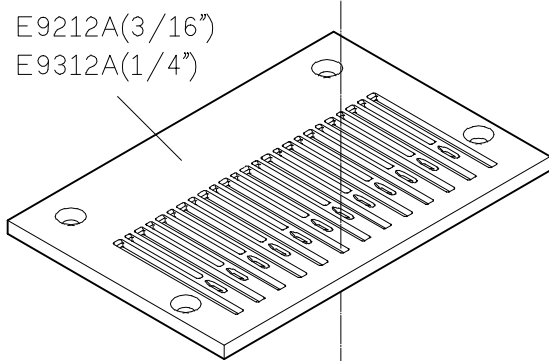
A



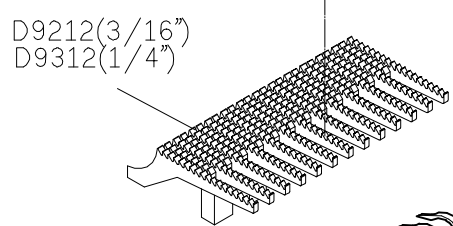
B



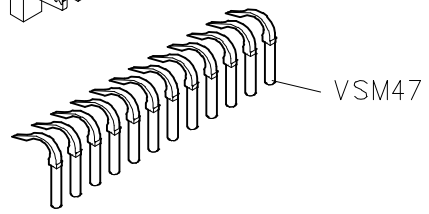
C



D

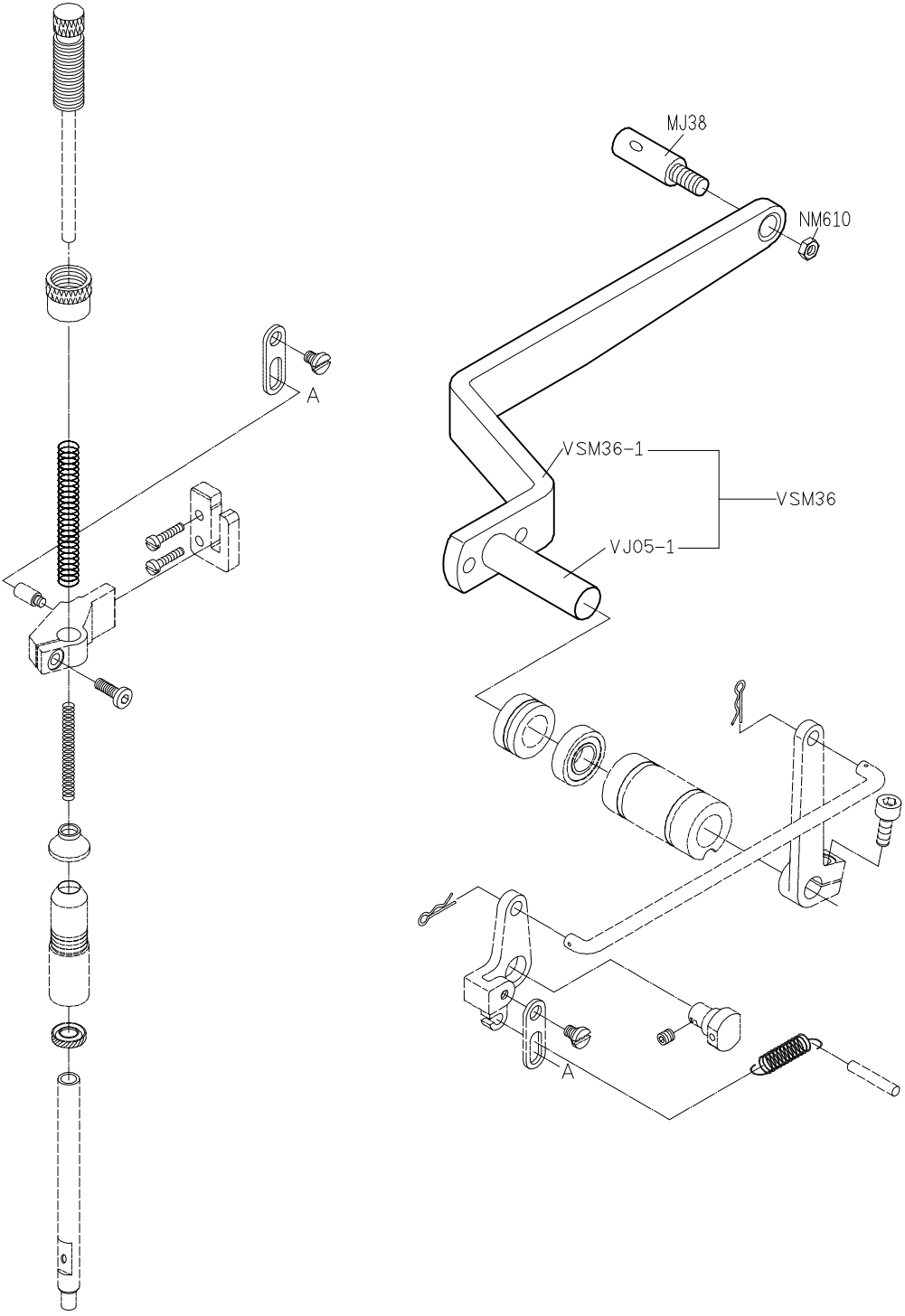


E



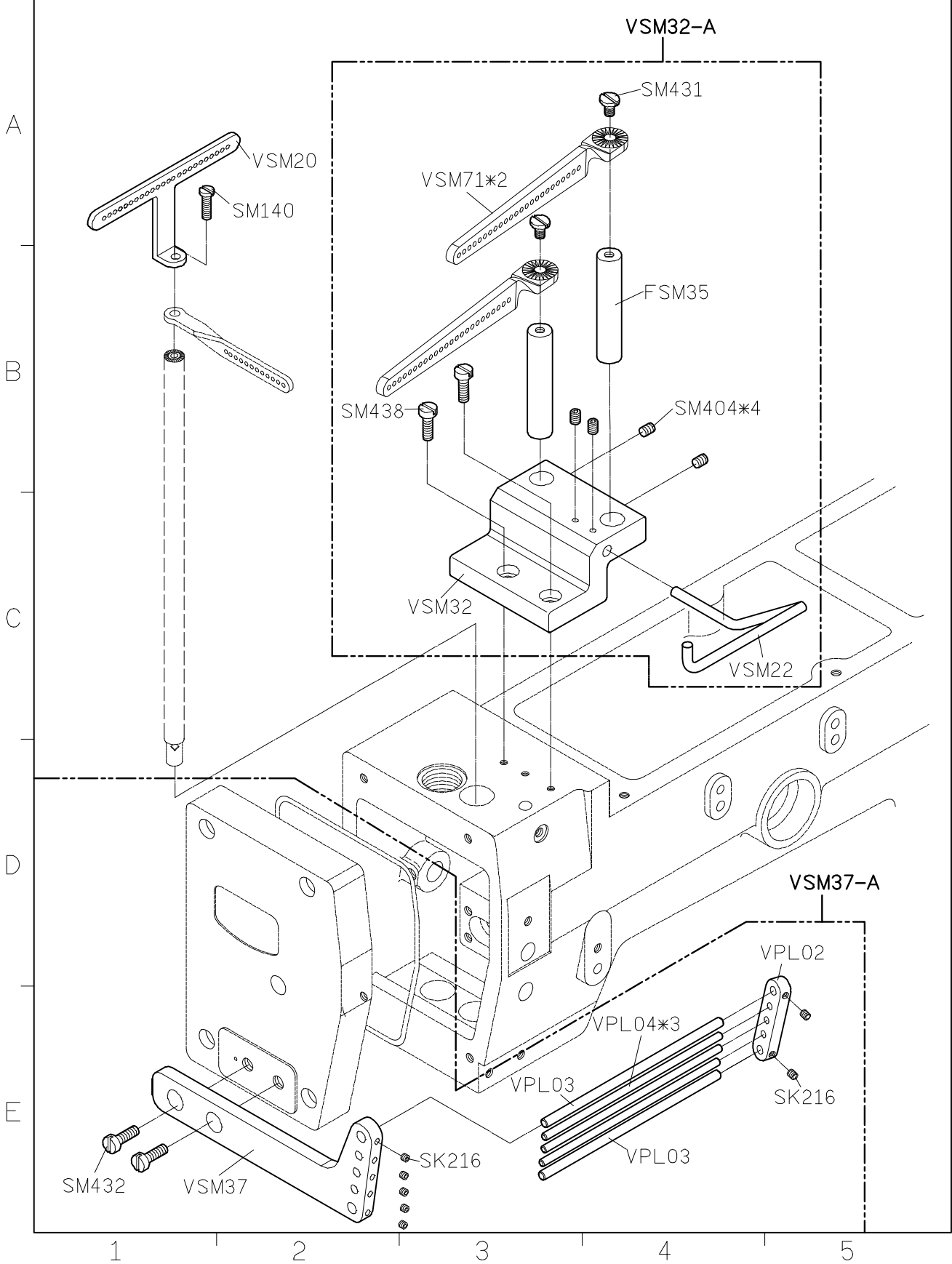
SIRUBA PARTS LIST	Series	Parts Group	Subclass / Remark	Page
	VC008	VSM/VSSM VSQ		4/15
				Date
				2012/08/23

A
B
C
D
E

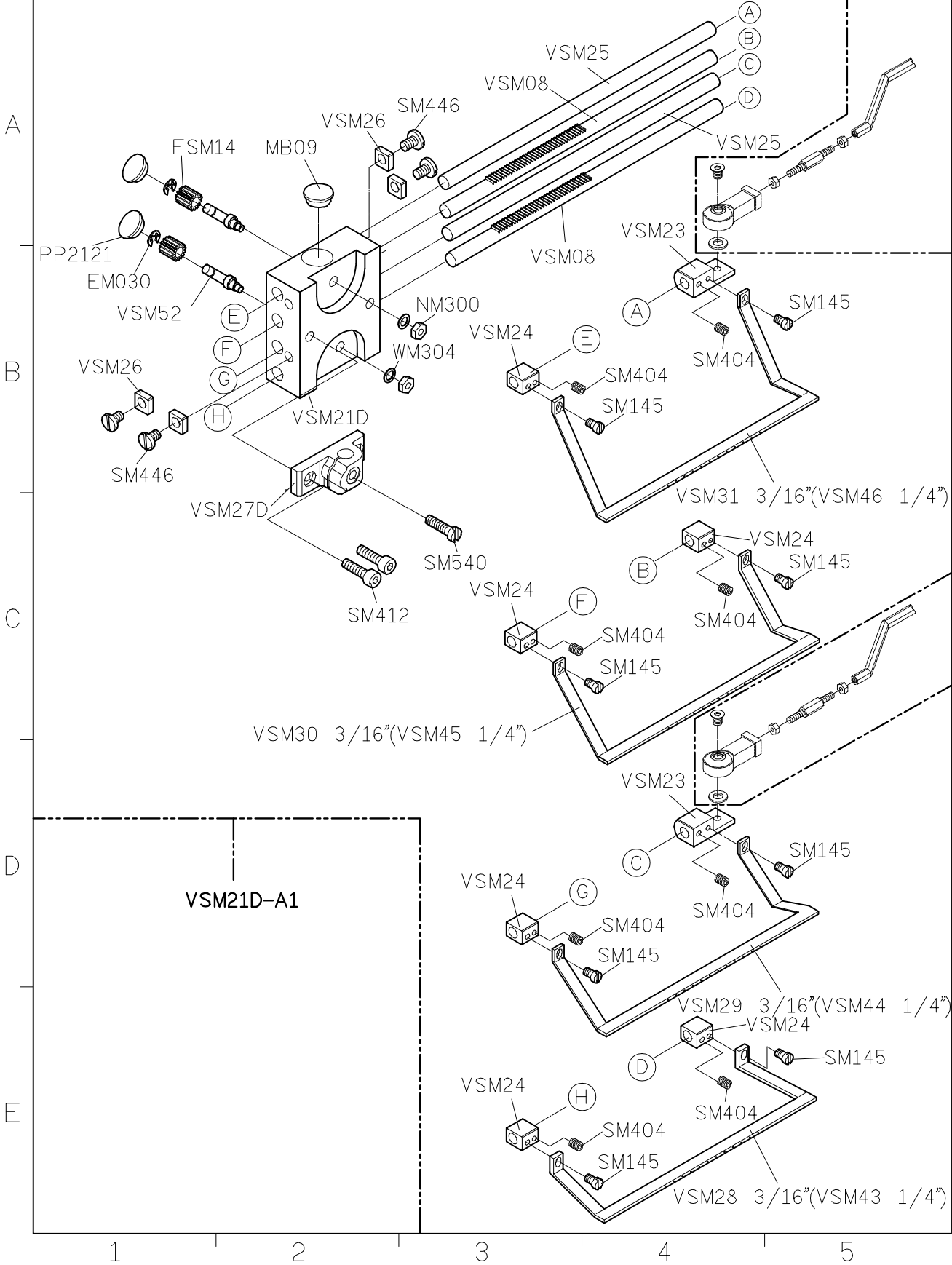


1 2 3 4 5

SIRUBA PARTS LIST	Series	Parts Group	Subclass / Remark	Page
	VC008	VSM/VSSM VSQ		5/15
				Date
				2012/08/23



SIRUBA PARTS LIST	Series	Parts Group	Subclass / Remark	Page
	VC008	VSM/VSSM VSQ		6/15
				Date
				2012/09/23



VSM101	VSM602L
VSM222	VSM202
VSM101 / VSM222	VSM211L
	VSM231L
	VSM311L
	VSM371L
	VSM391L
	VSM392L
	VSM471L
	VSM482L
	VSM545L
	VSM592L
VSM671L	
VSM674L	

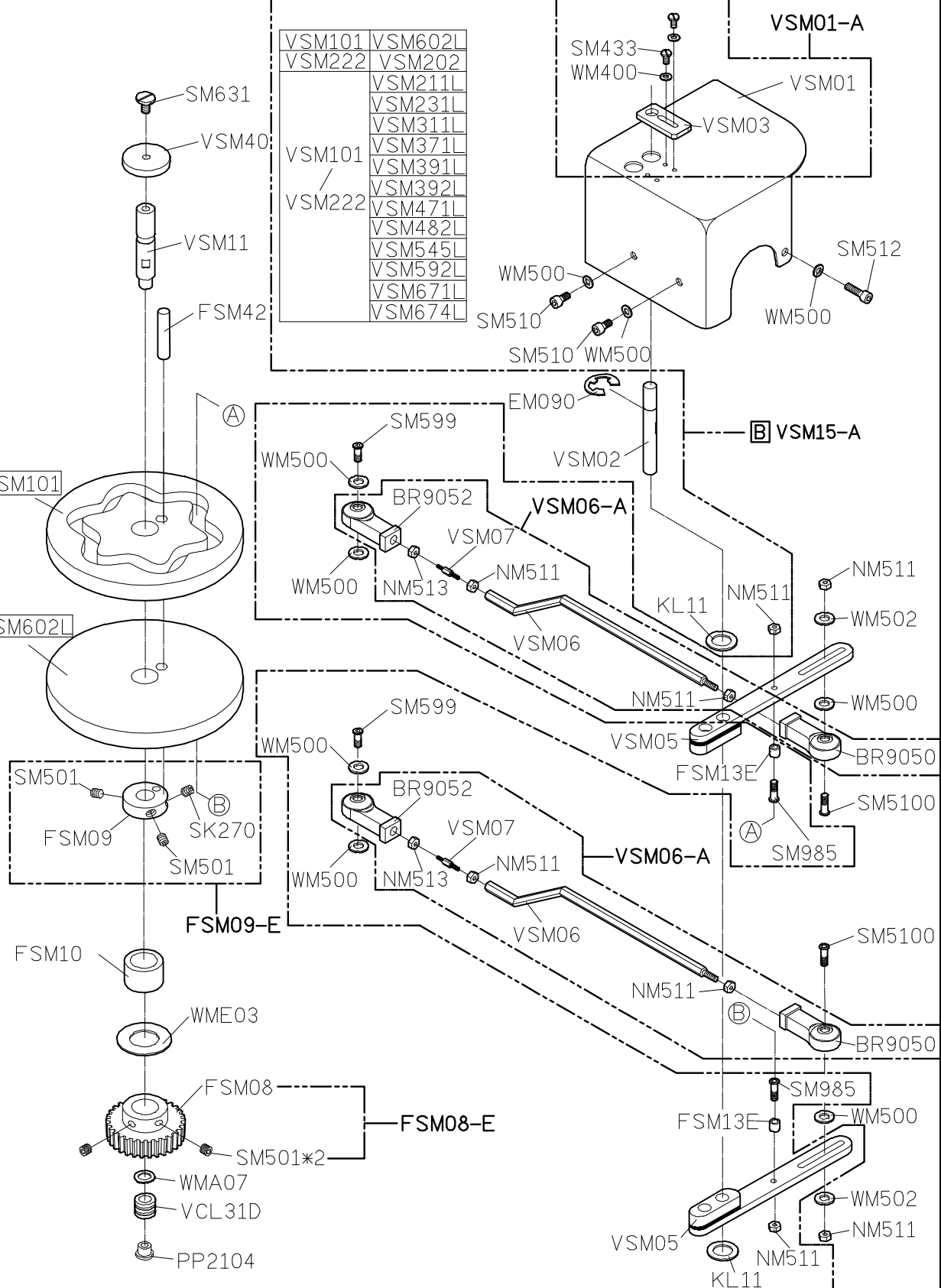
A

B

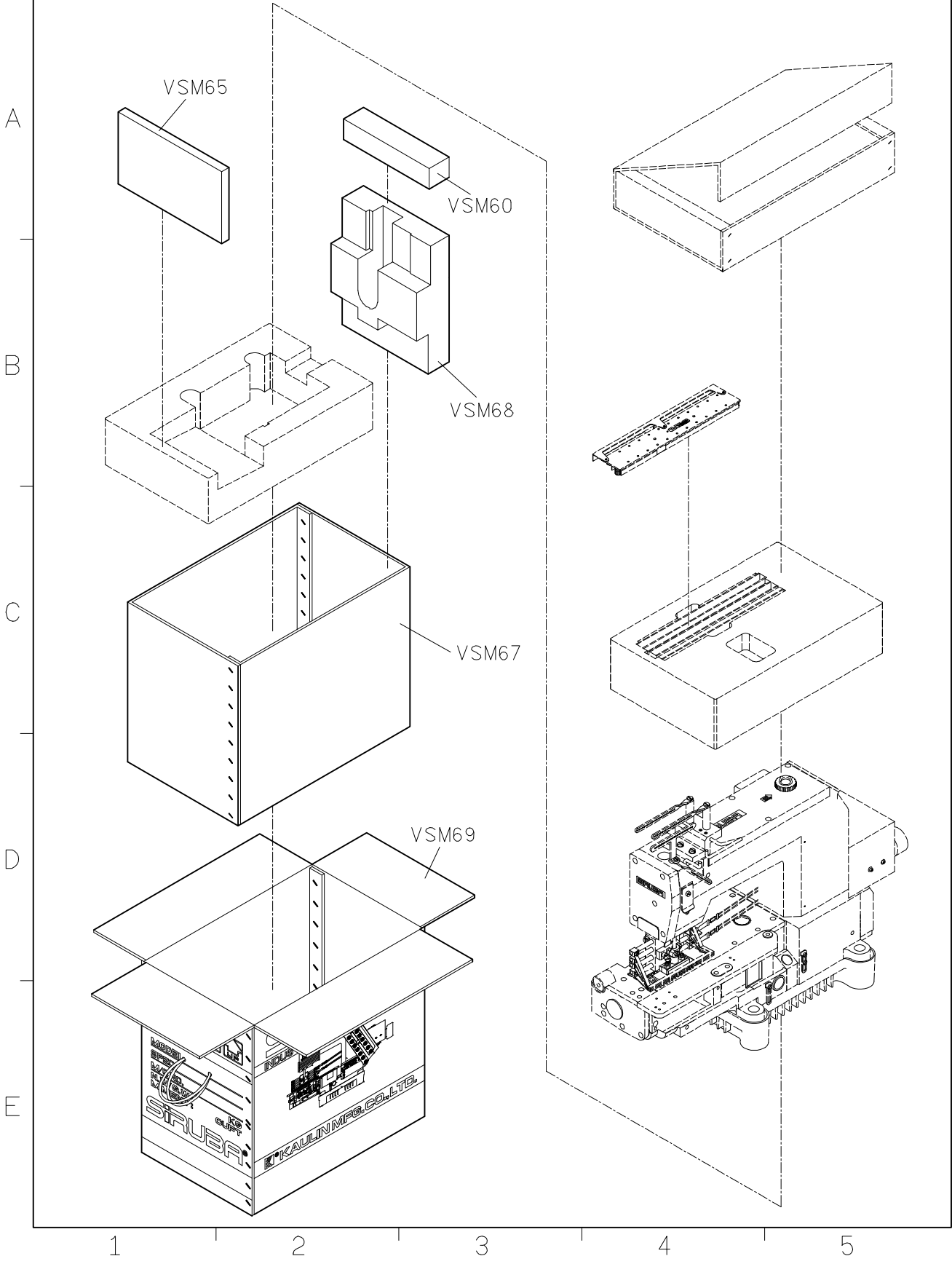
C

D

E

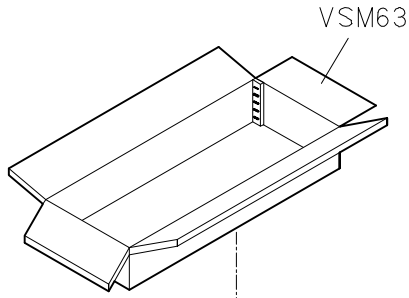


SIRUBA PARTS LIST	Series	Parts Group	Subclass / Remark	Page
	VC008	VSM/VSSM		10/15
		VSQ		Date
				2012/08/23

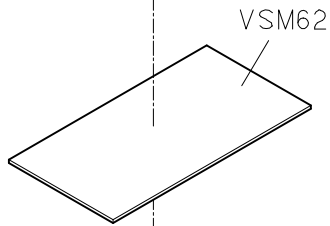


SIRUBA PARTS LIST	Series	Parts Group	Subclass / Remark	Page
	VC008	VSM/VSSM VSQ		11/15
				Date
				2012/08/23

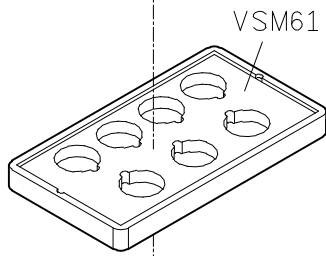
A



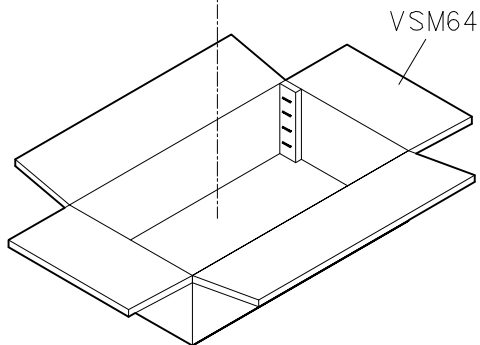
B



C



D



E

1

2

3

4

5

SIRUBA PARTS LIST	Series	Parts Group	Subclass / Remark	Page
	VC008	VSM/VSSM VSQ		12/15
				Date
				2012/08/23

OPTION:VSM38-A

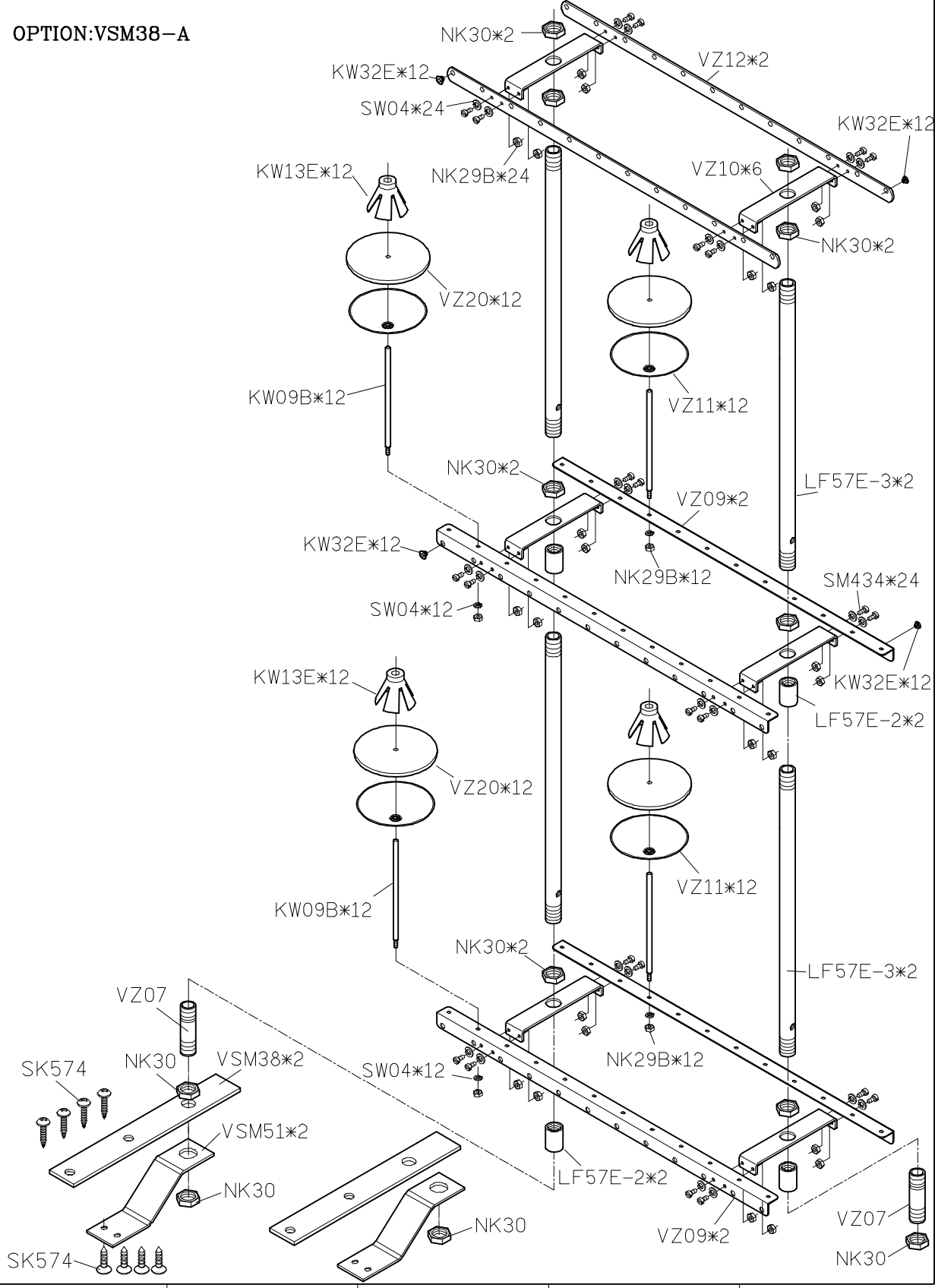
A

B

C

D

E



1

2

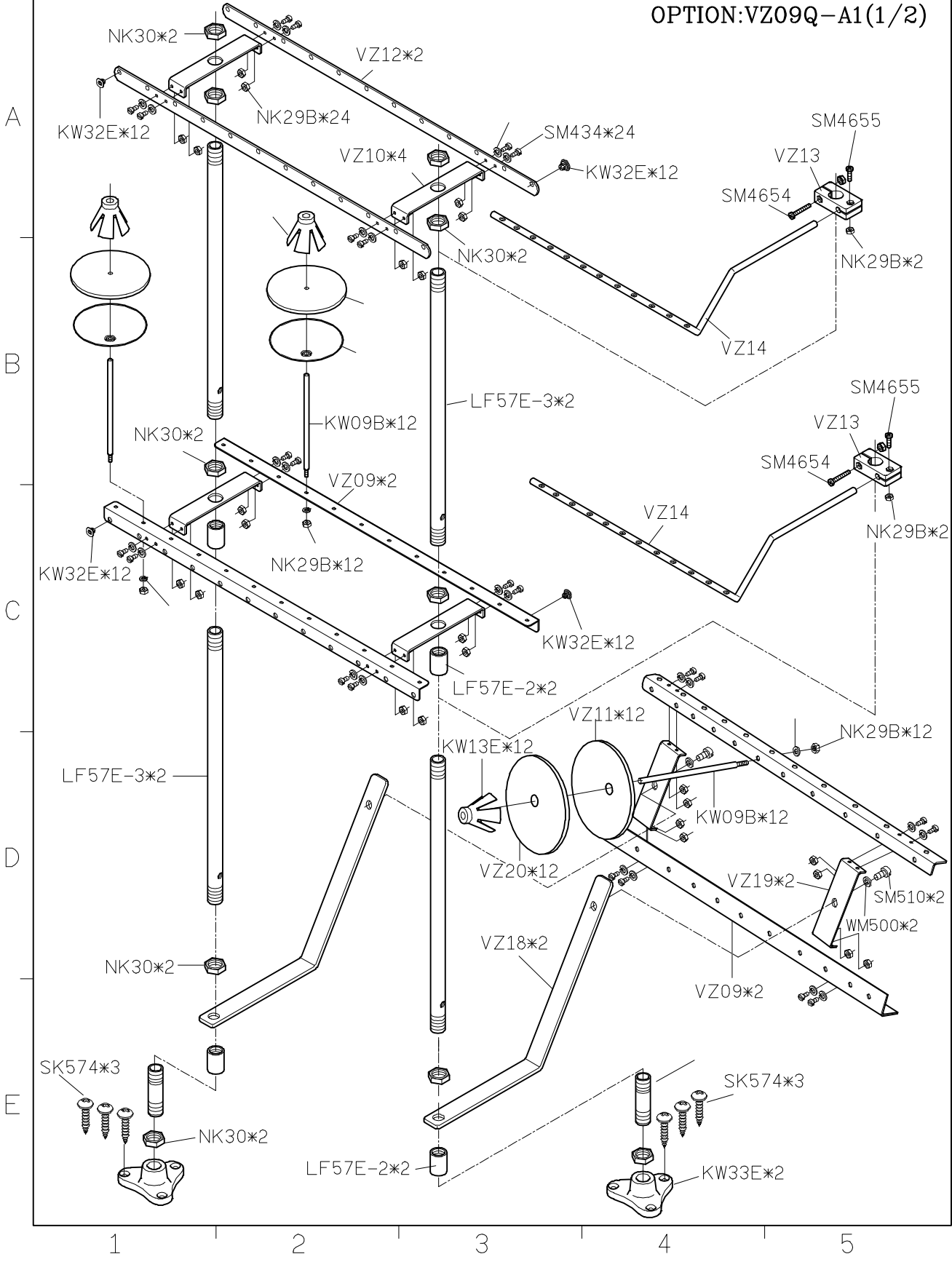
3

4

5

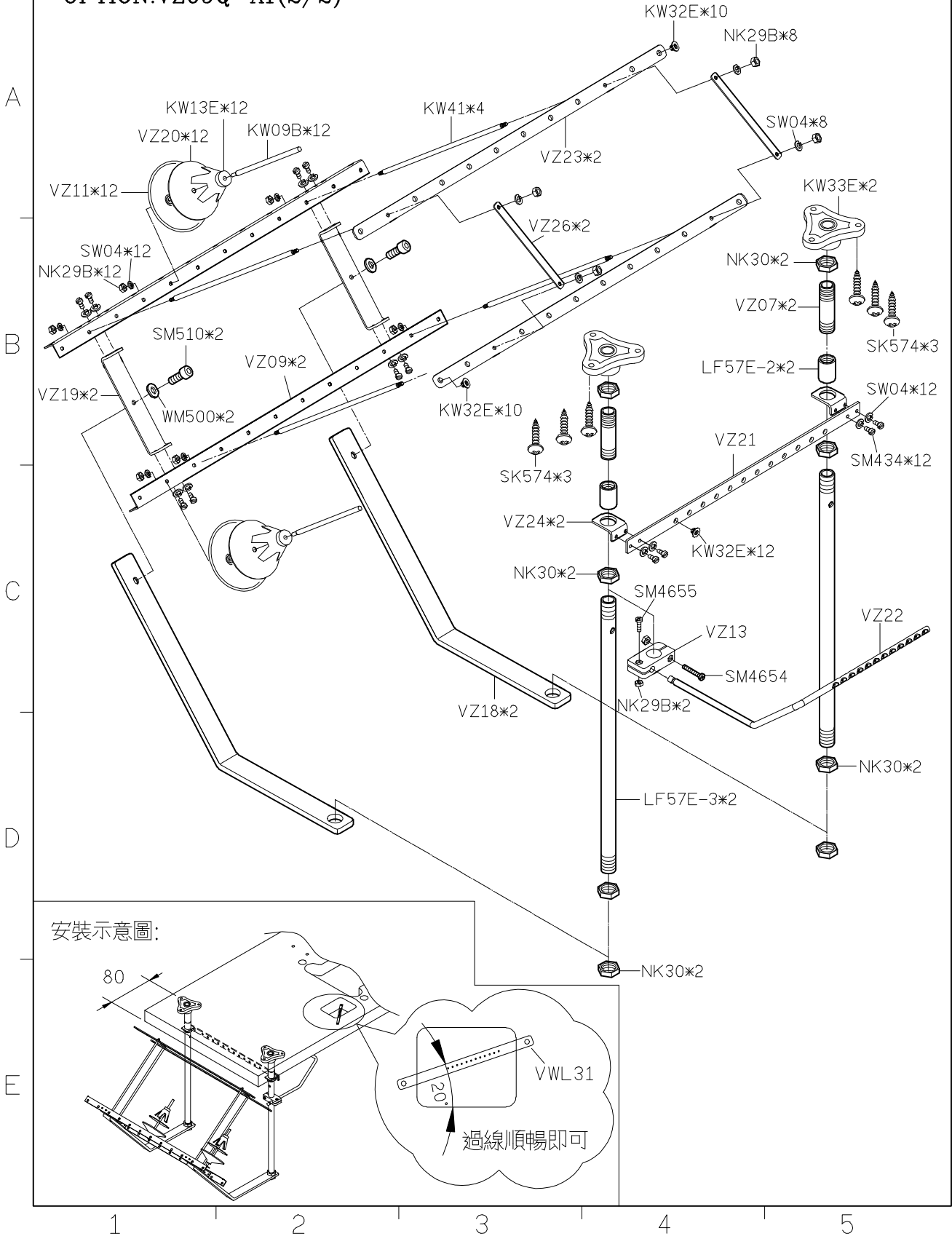
SIRUBA PARTS LIST	Series	Parts Group	Subclass / Remark	Page
	VC008	VSSM		13/15
				Date
				2012/11/15

OPTION:VZ09Q-A1(1/2)



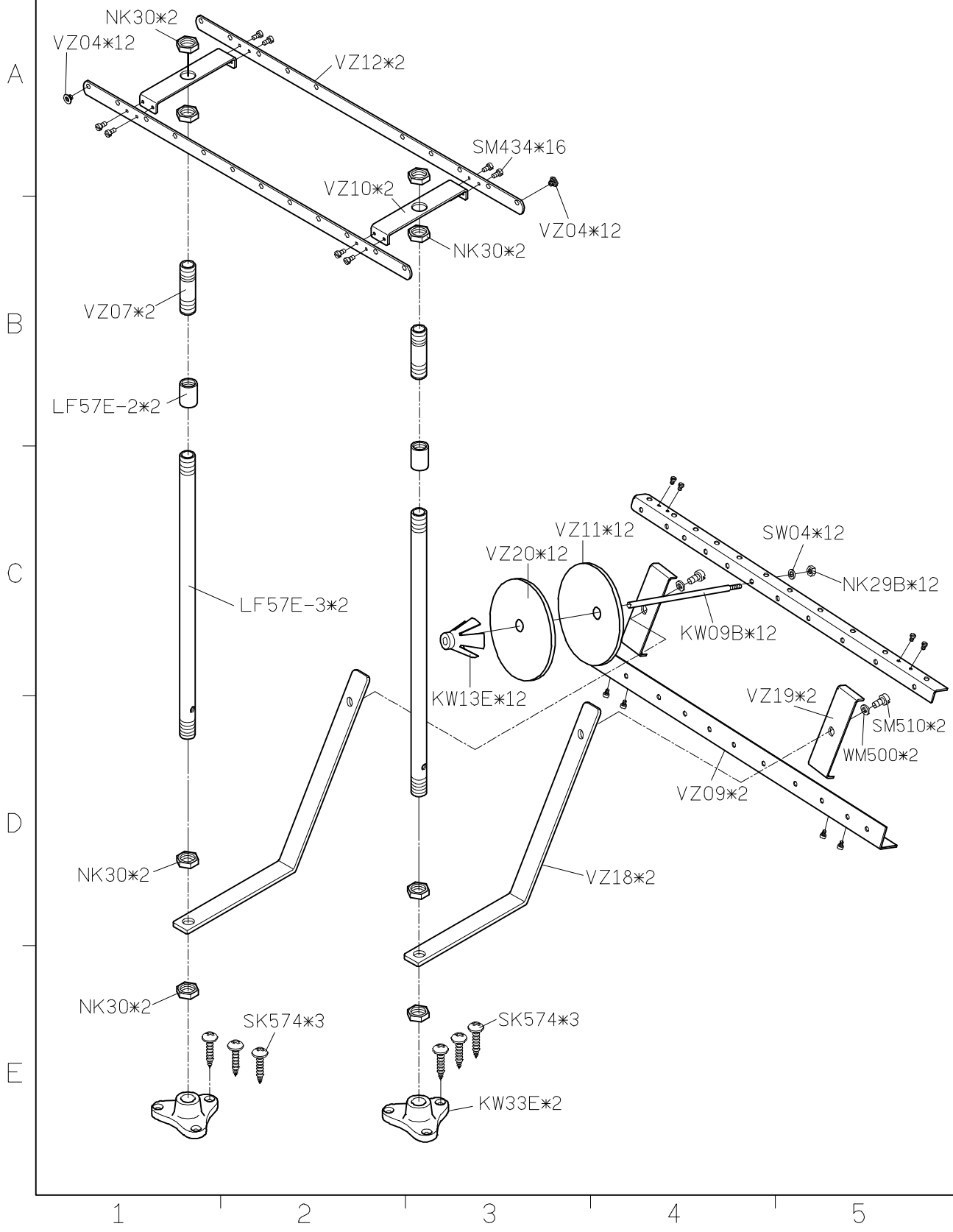
SIRUBA PARTS LIST	Series	Parts Group	Subclass / Remark	Page
	VC008	VSSM		14/15
				Date
				2012/11/15

OPTION:VZ09Q-A1(2/2)

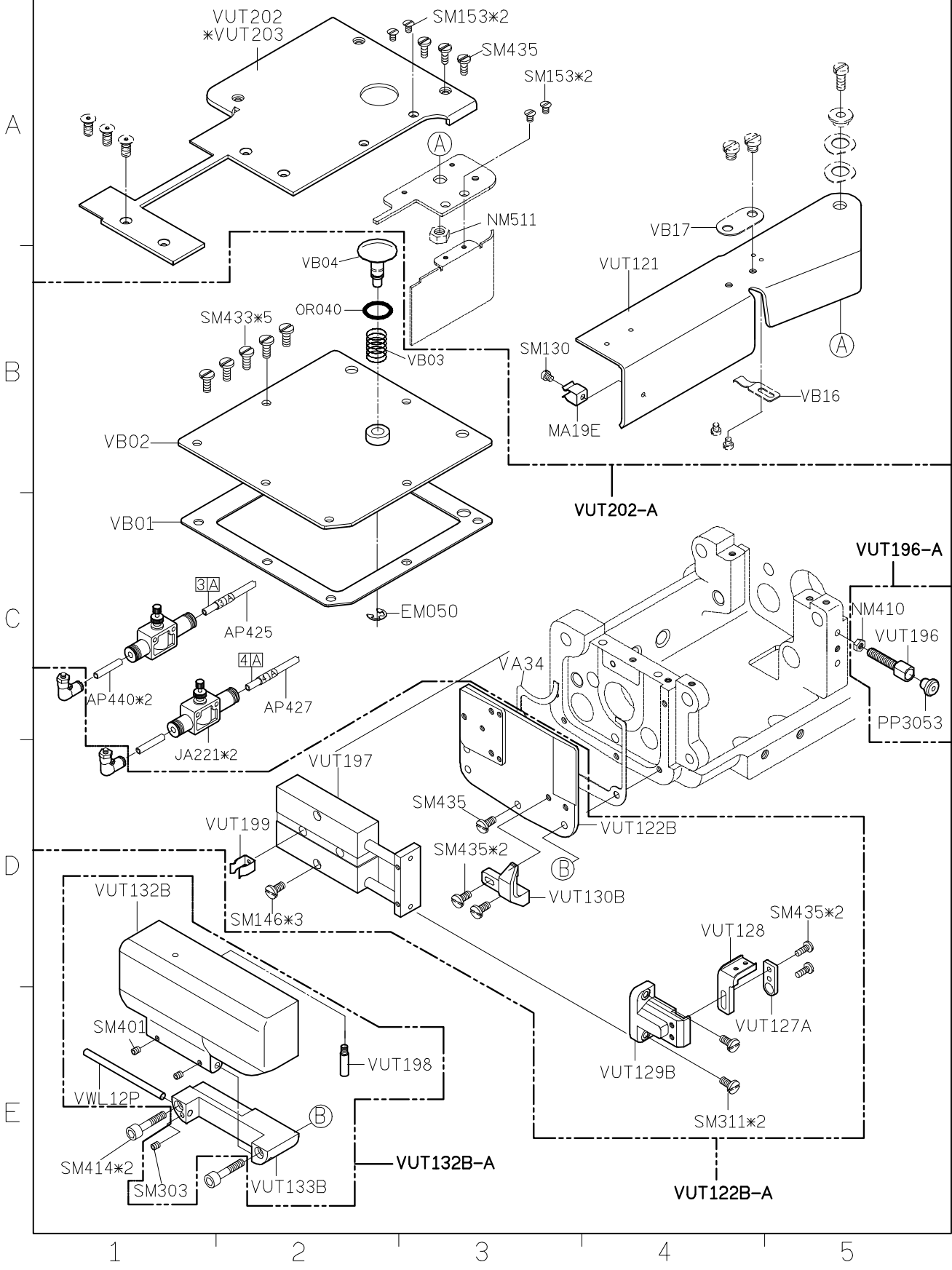


SIRUBA PARTS LIST	Series	Parts Group	Subclass / Remark	Page
	VC008	VSQ		15/15
				Date
				2012/08/23

OPTION:VZ09-A2

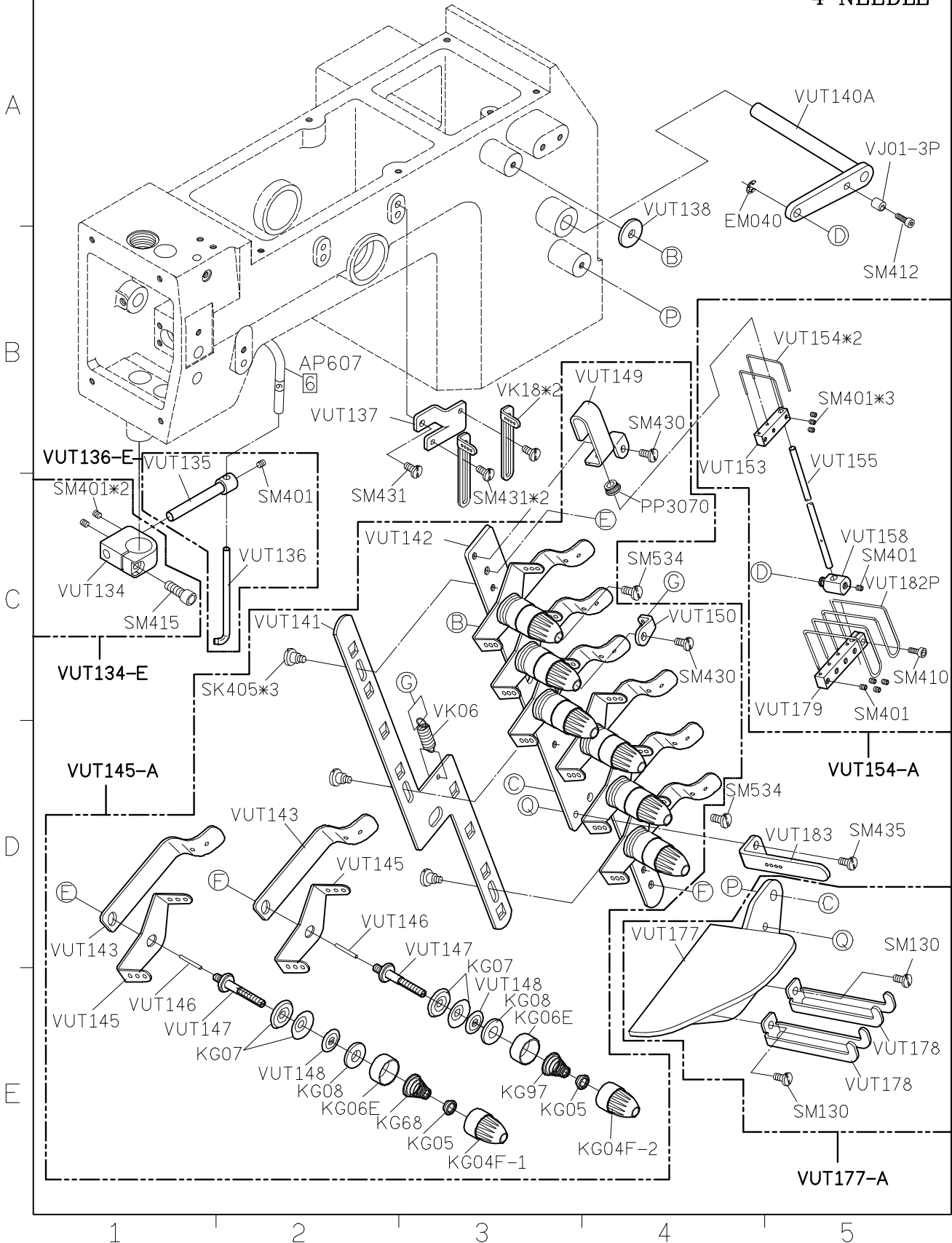


SIRUBA PARTS LIST	Series	Parts Group	Subclass / Remark	Page
	VC008	VUT		2/7
				Date
				2012/03/21



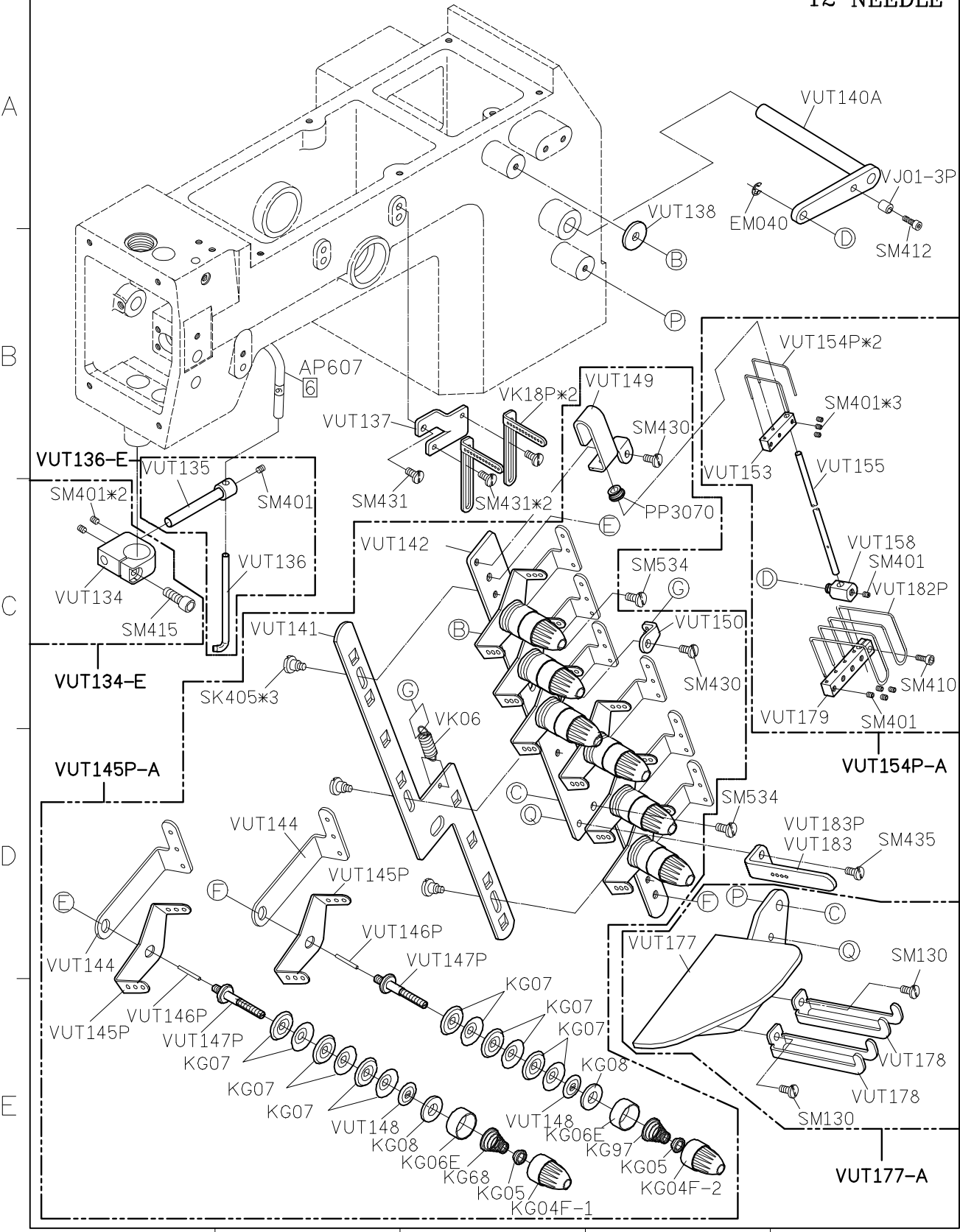
SIRUBA PARTS LIST	Series	Parts Group	Subclass / Remark	Page
	VC008	VUT		3/7
				Date
				2012/03/21

4 NEEDLE



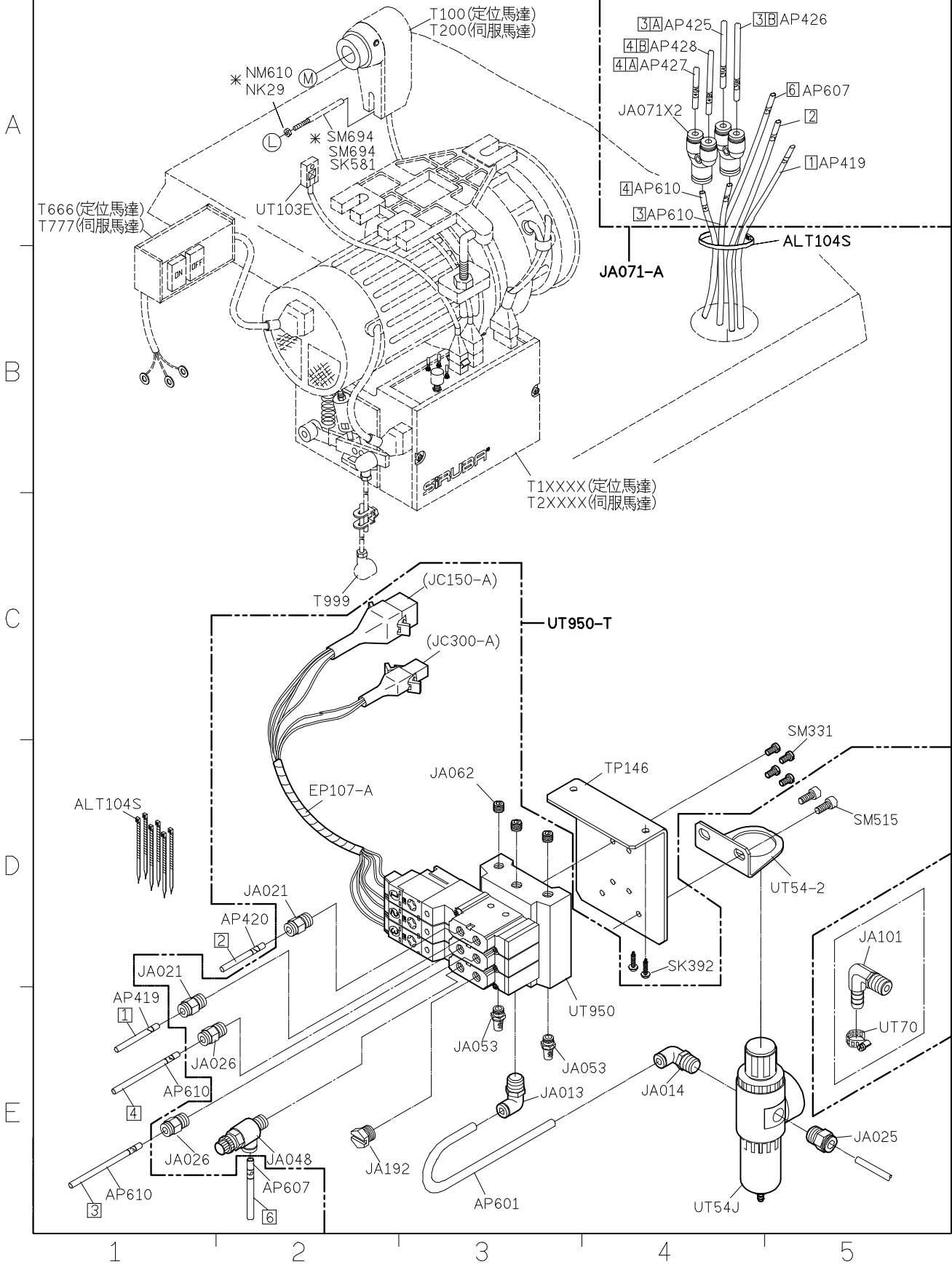
SIRUBA PARTS LIST	Series	Parts Group	Subclass / Remark	Page
	VC008	VUT		4/7
				Date
				2012/03/21

12 NEEDLE



1 2 3 4 5

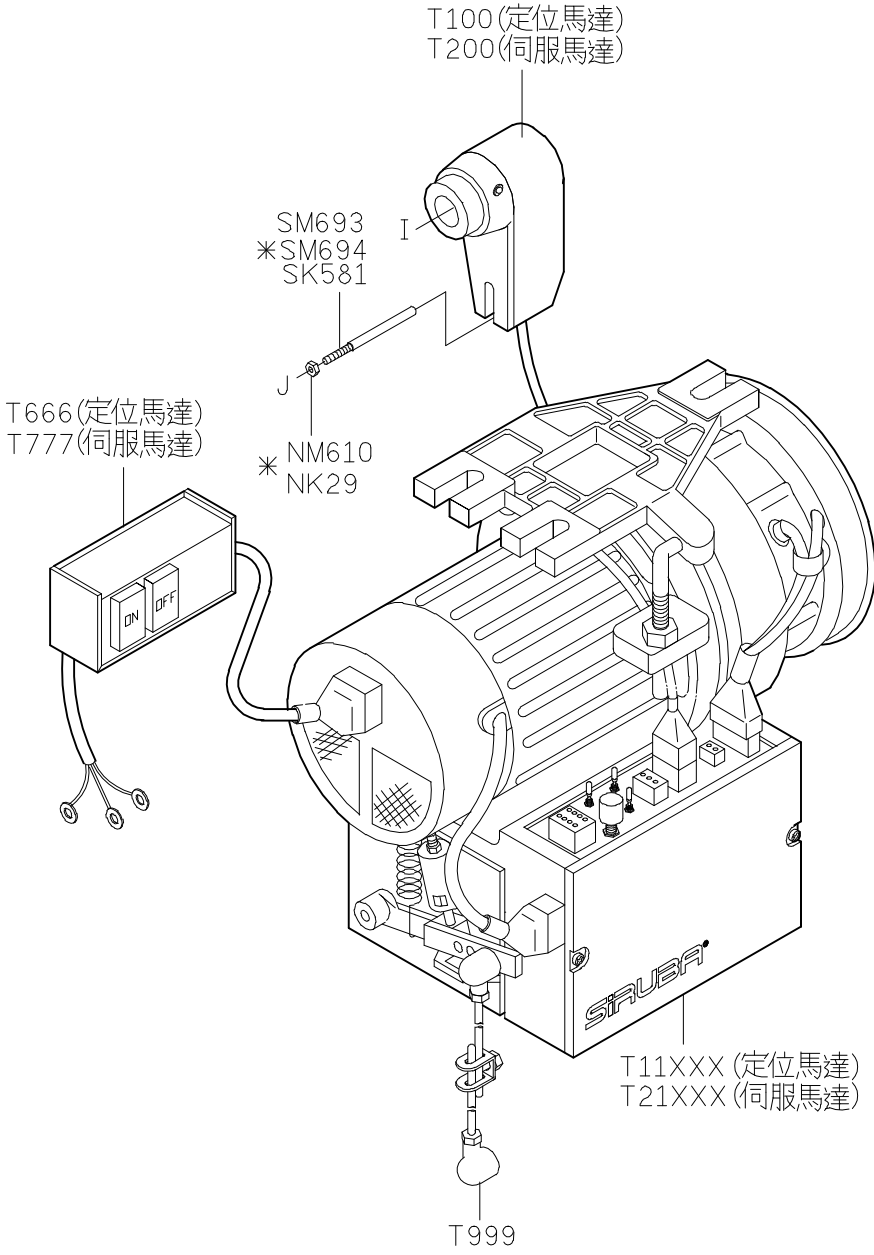
SIRUBA PARTS LIST	Series	Parts Group	Subclass / Remark	Page
	VC008	VUT		6/7
				Date
				2012/03/21



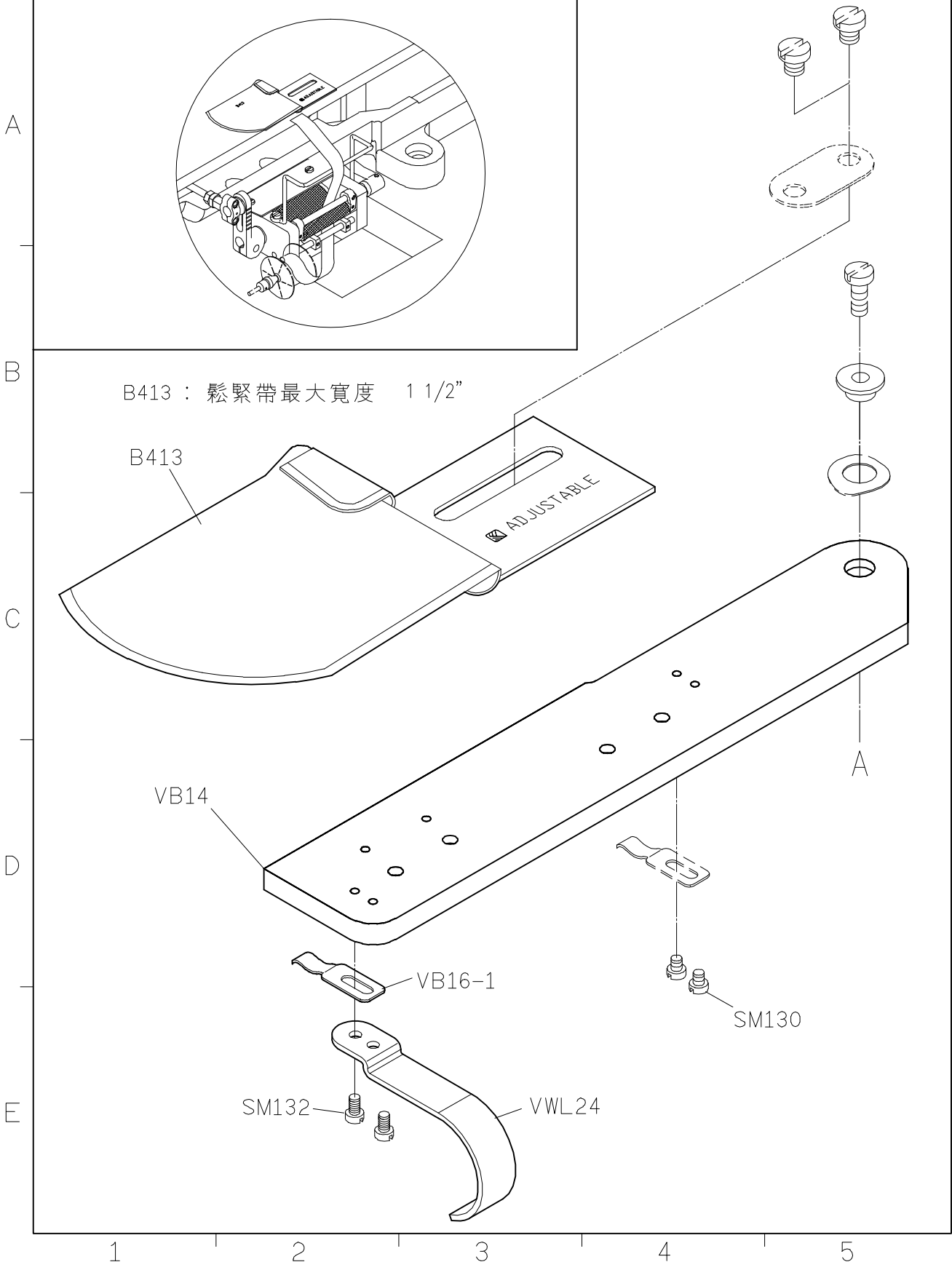
SIRUBA PARTS LIST	Series	Parts Group	Subclass / Remark	Page
	VC008	VUT		7/7
				Date
				2012/08/21

A
B
C
D
E

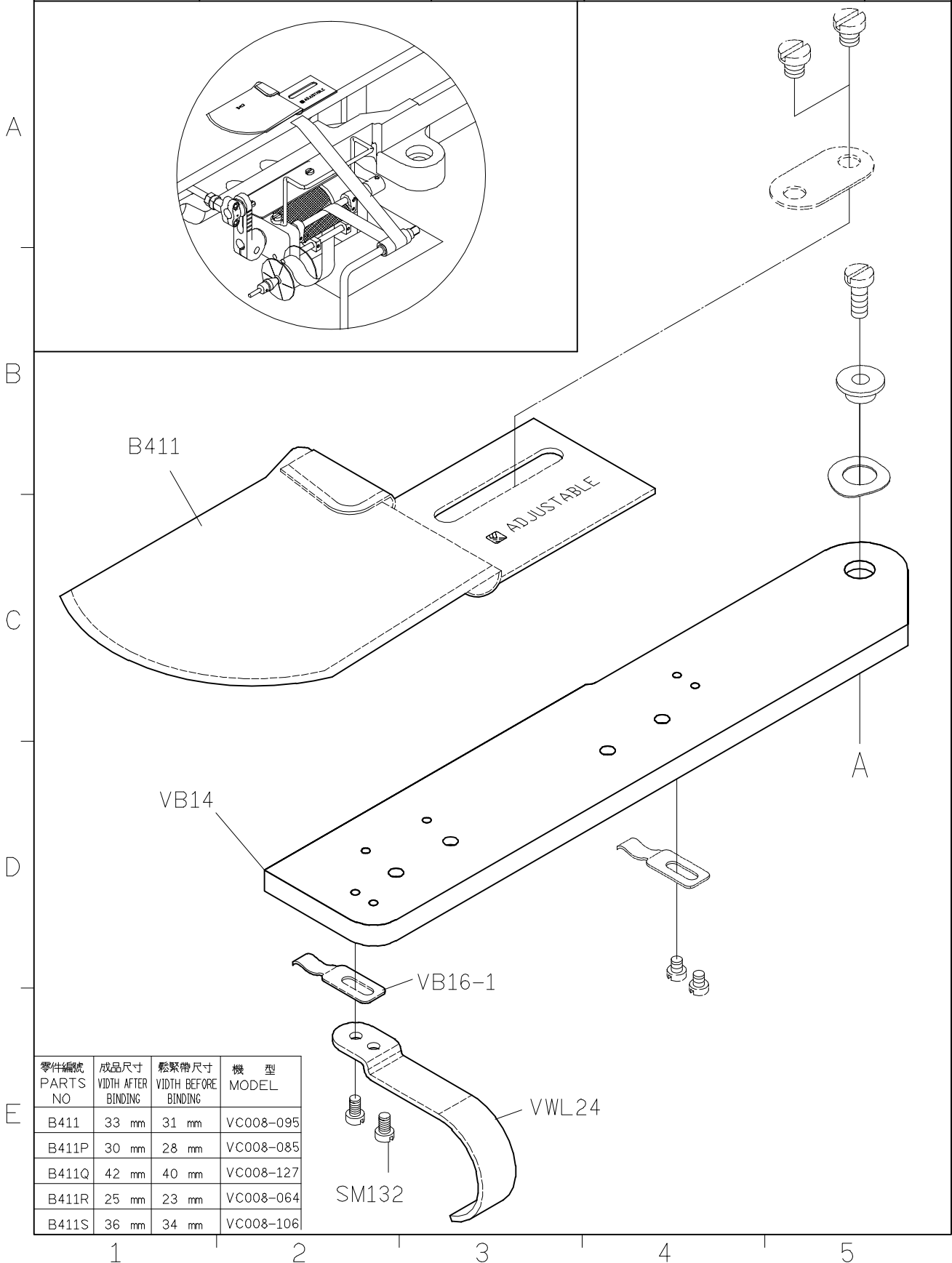
1 2 3 4 5



SIRUBA PARTS LIST	Series	Parts Group	Subclass / Remark	Page
	VC008	VWL		2/4
				Date
				2012/08/23



SIRUBA PARTS LIST	Series	Parts Group	Subclass / Remark	Page
	VC008	VWLB		3/4
				Date
				2012/08/23



零件編號 PARTS NO	成品尺寸 WIDTH AFTER BINDING	鬆緊帶尺寸 WIDTH BEFORE BINDING	機 型 MODEL
B411	33 mm	31 mm	VC008-095
B411P	30 mm	28 mm	VC008-085
B411Q	42 mm	40 mm	VC008-127
B411R	25 mm	23 mm	VC008-064
B411S	36 mm	34 mm	VC008-106

1 2 3 4 5

SIRUBA PARTS LIST	Series	Parts Group	Subclass / Remark	Page
	VC008	VWLB		4/4
				Date
				2012/08/23

OPTION:RLP02-A

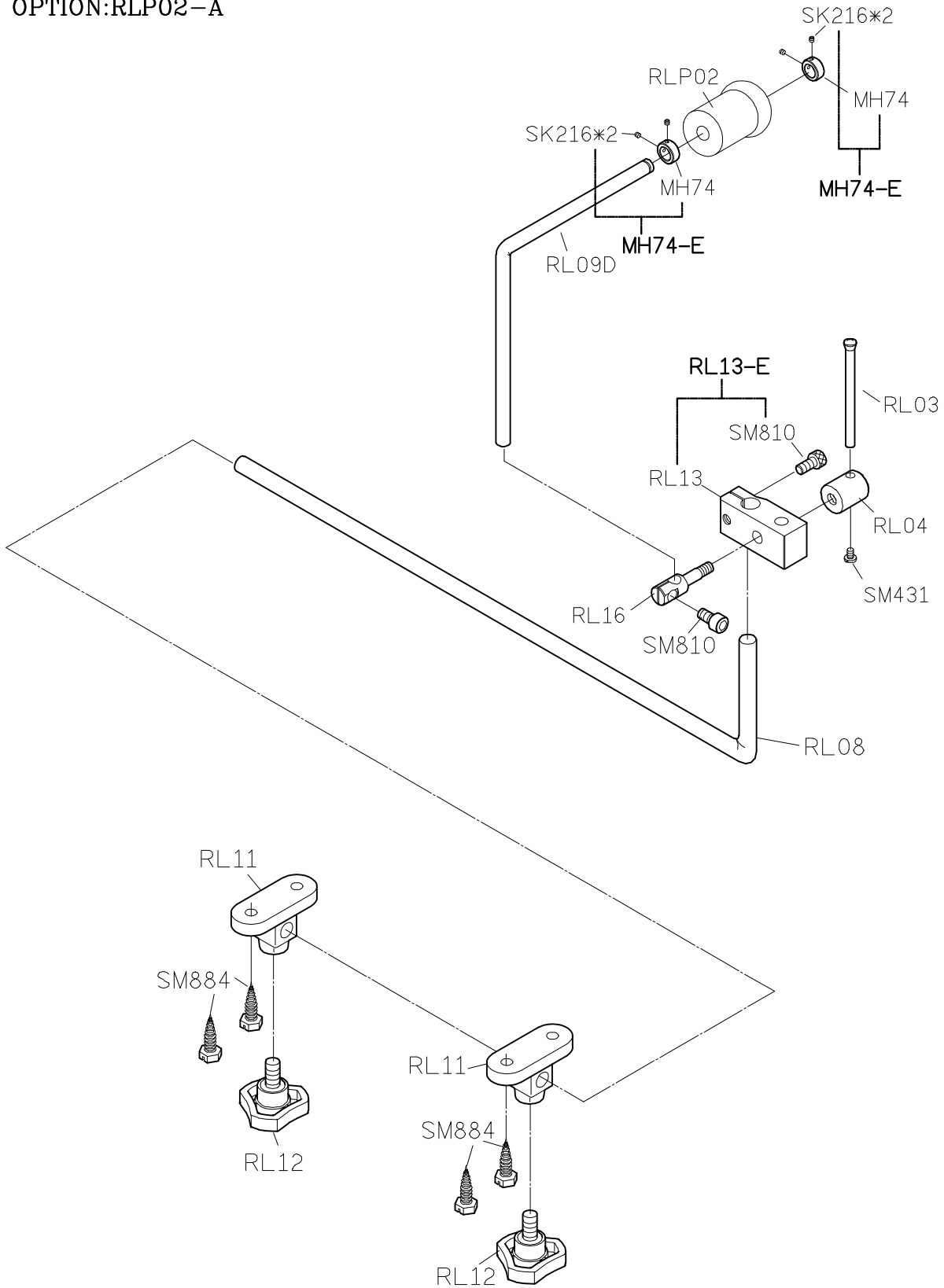
A

B

C

D

E



1

2

3

4

5

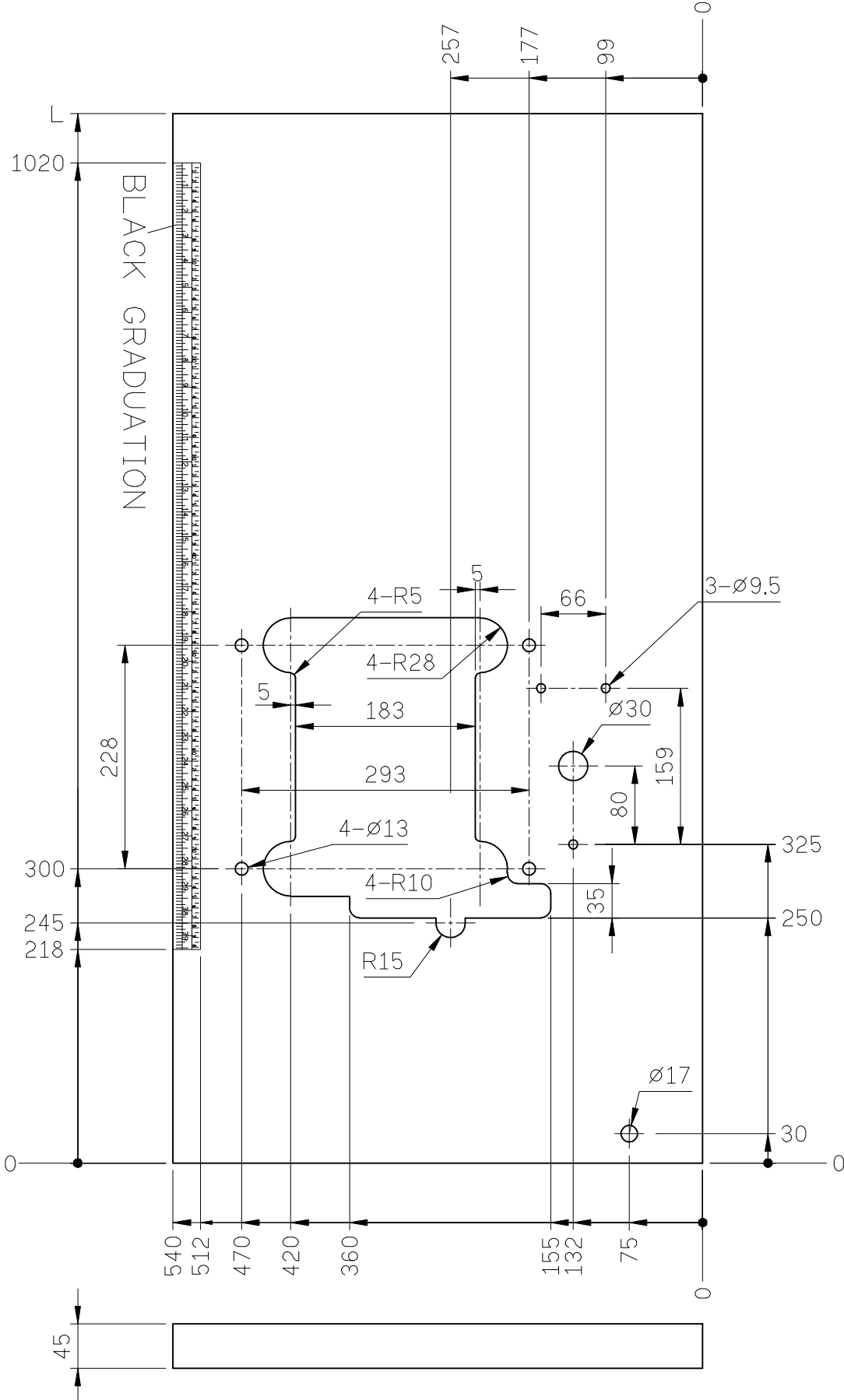
SIRUBA
TABLE
CUT - OUT

Series
VC008

Item Code
VC008-T1

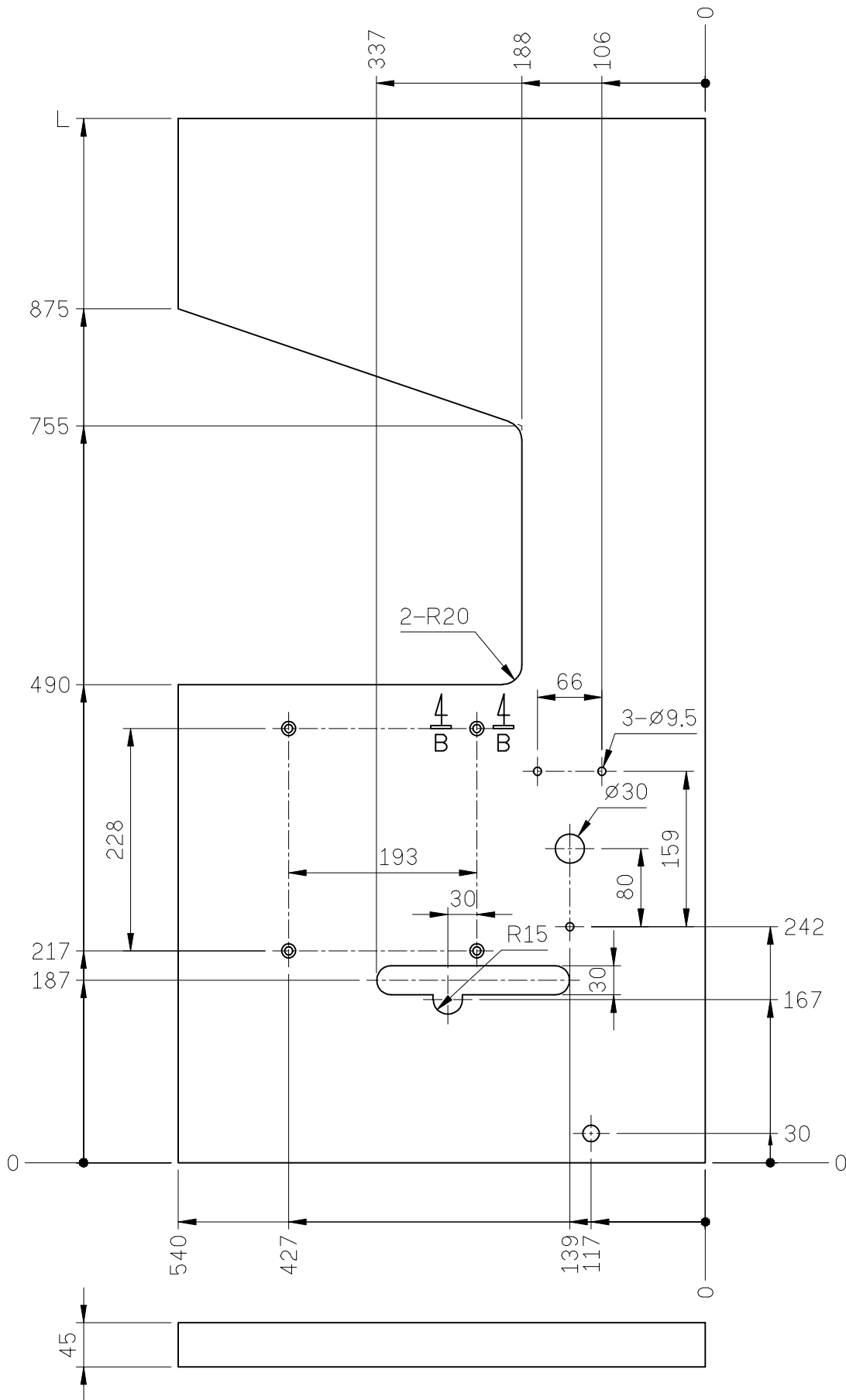
Subclass Remark
For VC008-04
VC008-04P/VCE
VC008-04P/VJT
VC008-04P/VSF

Mounting
Semi-submerged
Date
2012/11/08

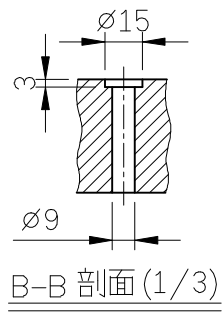


單位 / UNIT : mm
所有尺寸公差 / TOLERANCE : ±2
長度 (L) : 1070 / 重量 (W) : 11.6kg ±5%
長度 (L) : 1200 / 重量 (W) : 12.6kg ±5%

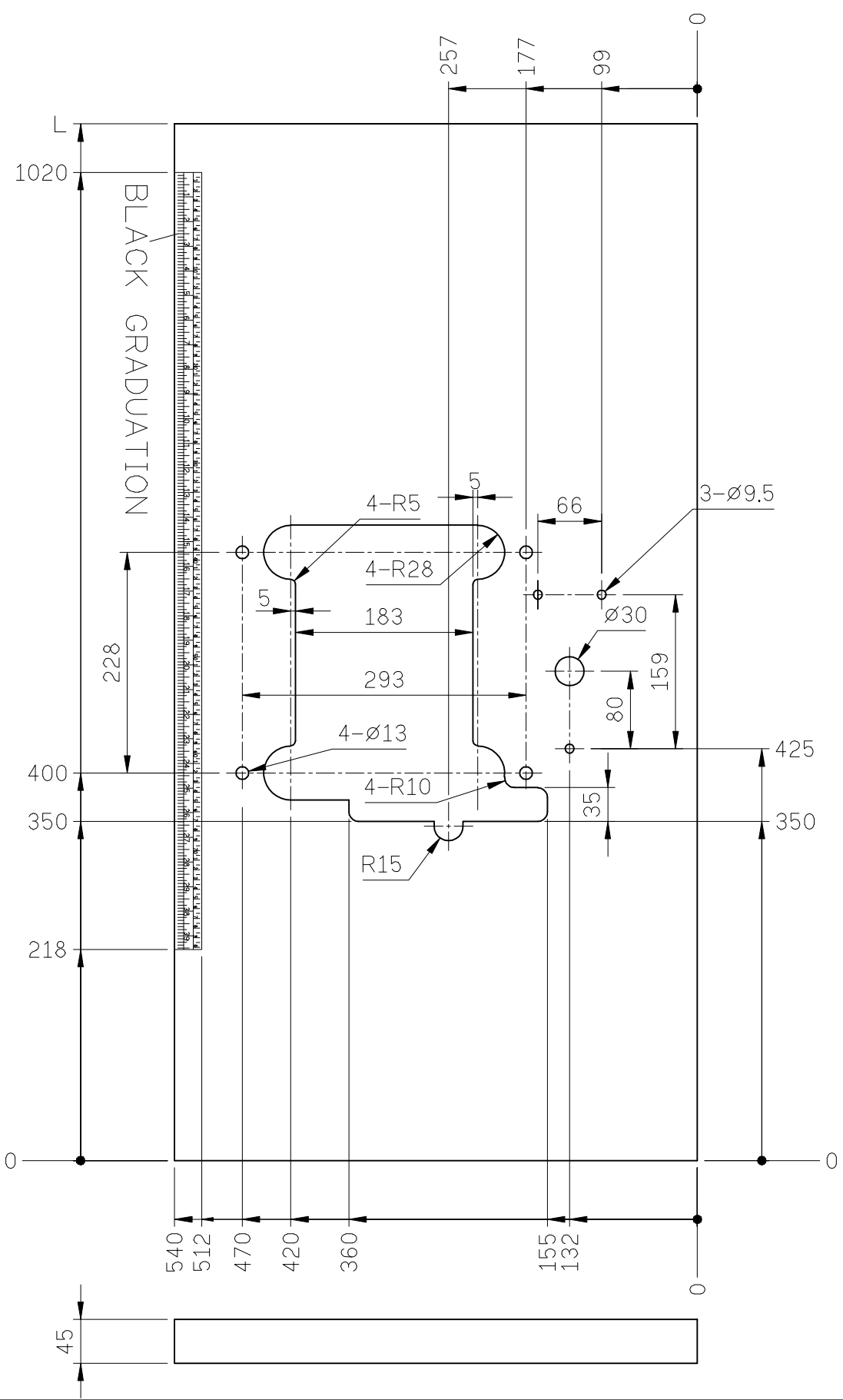
SIRUBA TABLE CUT - OUT	Series	Item Code	Subclass Remark	Mounting
	VC008	VC008-T2	For VC008-04 VC008-04P/VCE VC008-04P/VJT VC008-04P/VSF	Non-submerged
				Date
				2012/11/08



單位 / UNIT : mm
 所有尺寸公差 / TOLERANCE : ±2
 長度 (L) : 1070 / 重量 (W) : 11.4kg ±5%
 長度 (L) : 1200 / 重量 (W) : 12.4kg ±5%

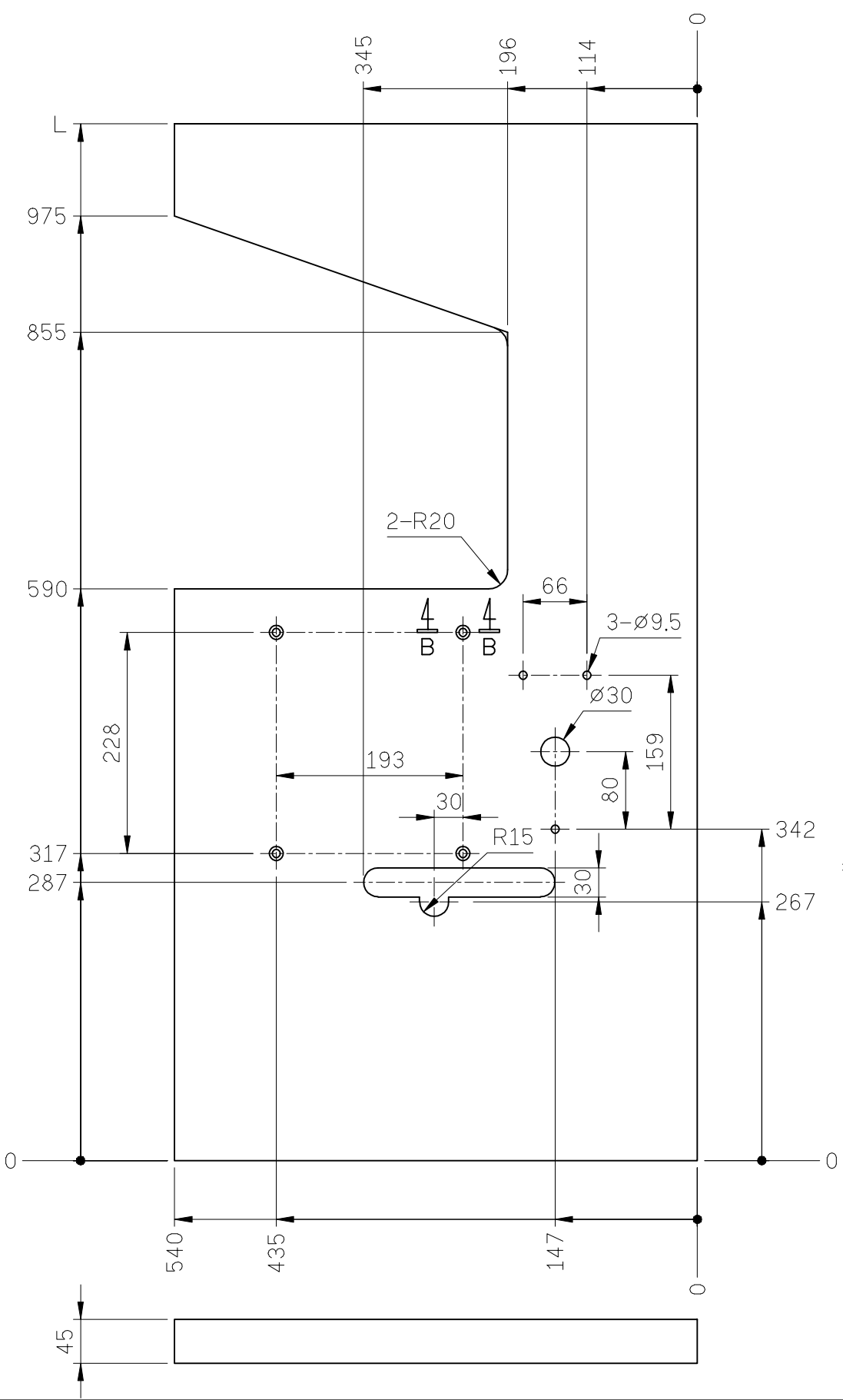


SIRUBA TABLE CUT - OUT	Series	Item Code	Subclass Remark	Mounting
	VC008	VC008-T3	For VC008-12、VC008-13 VC008-06/VPL VC008-12/VPQ VC008-12/VPT VC008-12/VUT	Semi-submerged
				Date
				2012/11/08

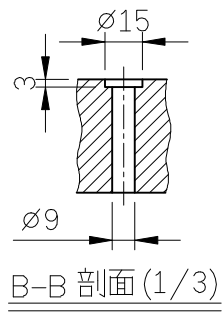


單位 / UNIT : mm
所有尺寸公差 / TOLERANCE : ±2
長度 (L) : 1070 / 重量 (W) : 11.6kg ±5%
長度 (L) : 1200 / 重量 (W) : 12.6kg ±5%

SIRUBA TABLE CUT - OUT	Series	Item Code	Subclass Remark	Mounting
	VC008	VC008-T4	For VC008-12、VC008-13 VC008-06/VPL VC008-12/VPQ VC008-12/VPT VC008-12/VUT	Non-submerged
				Date
				2012/11/08



單位 / UNIT : mm
 所有尺寸公差 / TOLERANCE : ±2
 長度 (L) : 1070 / 重量 (W) : 11.4kg ±5%
 長度 (L) : 1200 / 重量 (W) : 12.4kg ±5%



SIRUBATABLE
CUT - OUT

Series

VC008

Item Code

VC008-T5

Subclass Remark

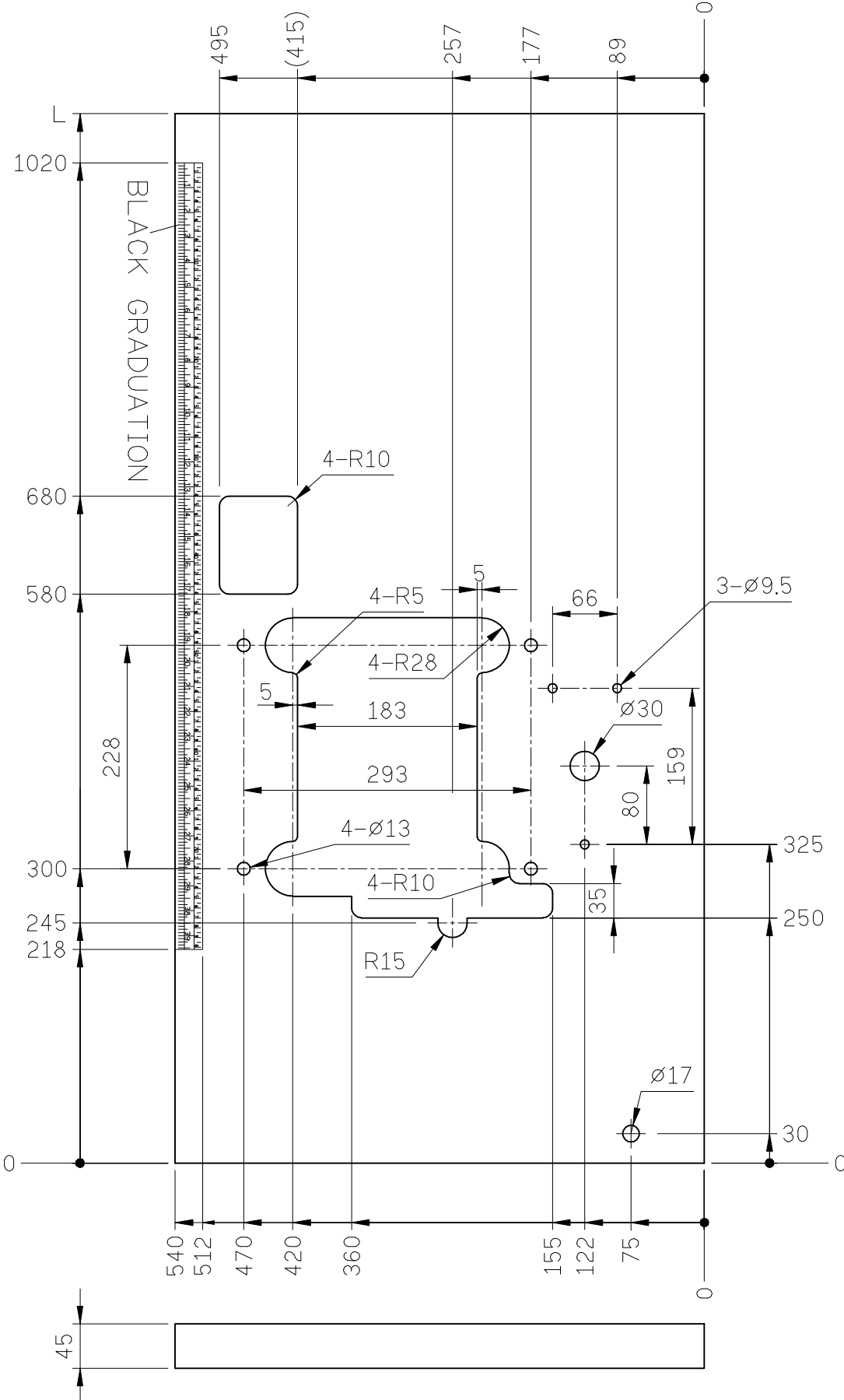
For VC008-04/VWL
VC008-04/VWLB
VC008-04/VWLC

Mounting

Semi-submerged

Date

2012/11/08



單位 / UNIT : mm
 所有尺寸公差 / TOLERANCE : ±2
 長度 (L) : 1070 / 重量 (W) : 11.5kg ±5%
 長度 (L) : 1200 / 重量 (W) : 12.5kg ±5%

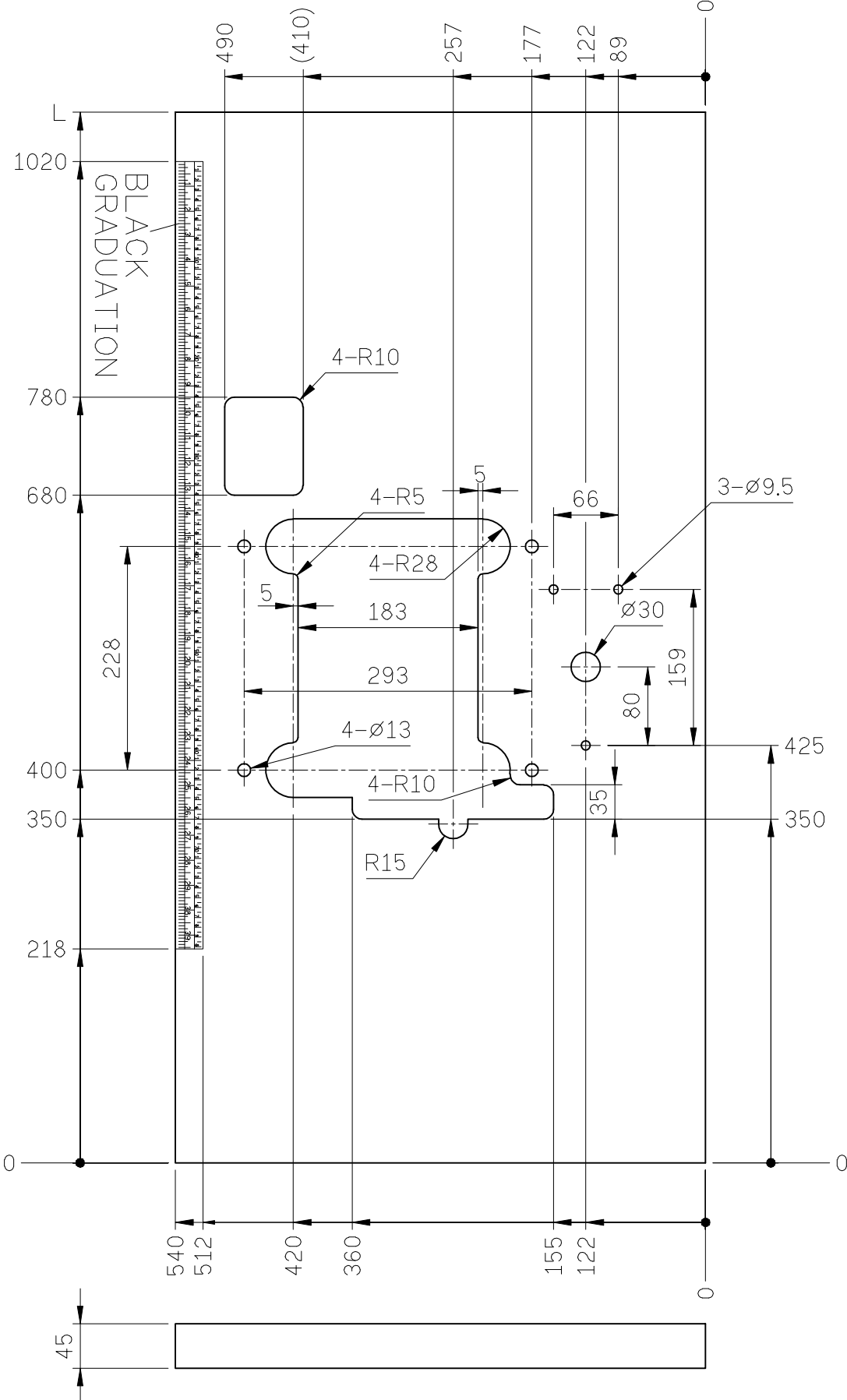
SIRUBA
TABLE
CUT - OUT

Series
VC008

Item Code
VC008-T6

Subclass Remark
For VC008-12/VPQK
VC008-12/VWL
VC008-12/VSSM
VC008-12/VSC

Mounting
Semi-submerged
Date
2012/11/08



單位 / UNIT : mm
所有尺寸公差 / TOLERANCE : ±2
長度 (L) : 1070 / 重量 (W) : 11.5kg ±5%
長度 (L) : 1200 / 重量 (W) : 12.5kg ±5%

SIRUBATABLE
CUT - OUT

Series

VC008

Item Code

VC008-T7

Subclass Remark

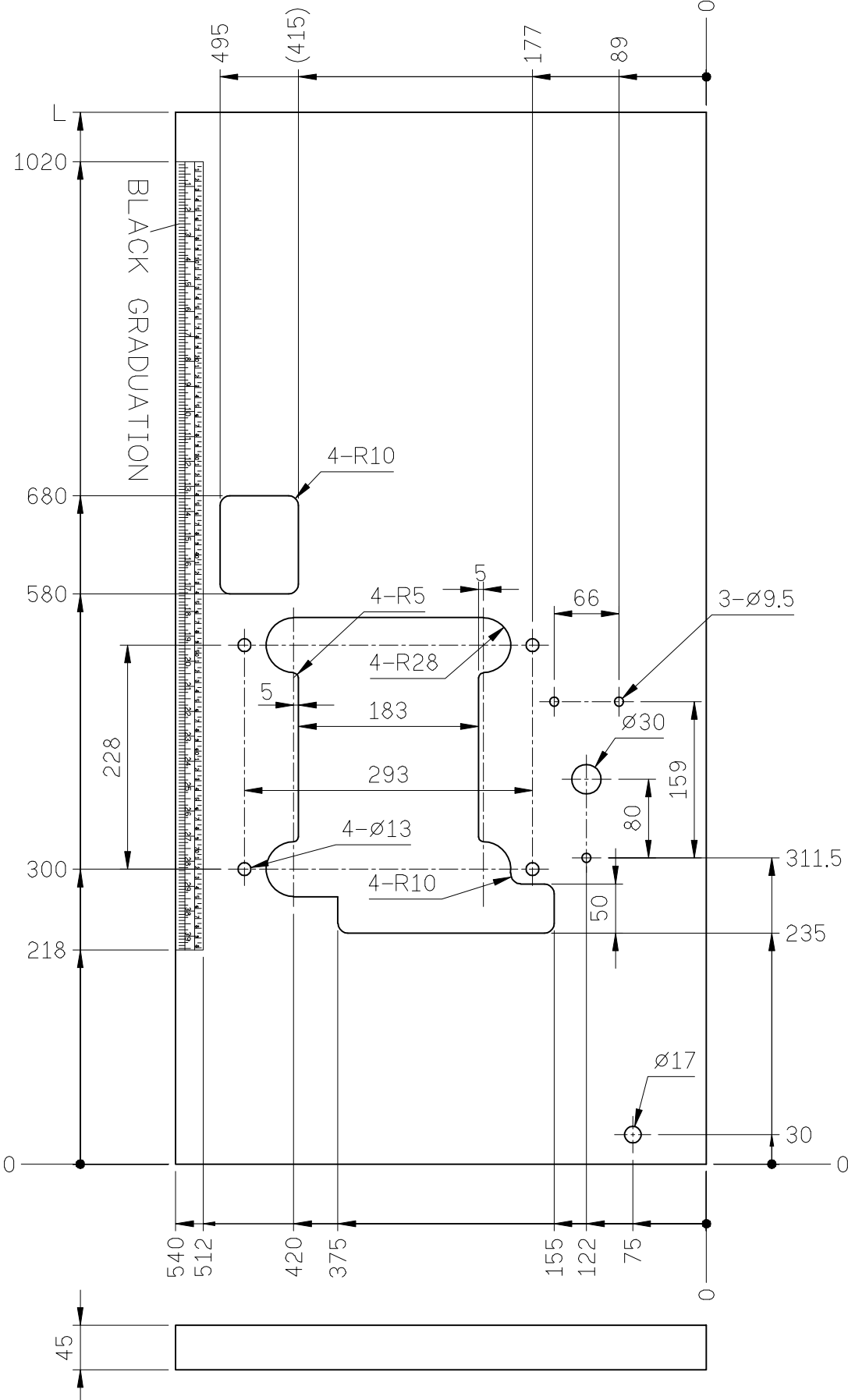
For VC008-02/VMR

Mounting

Semi-submerged

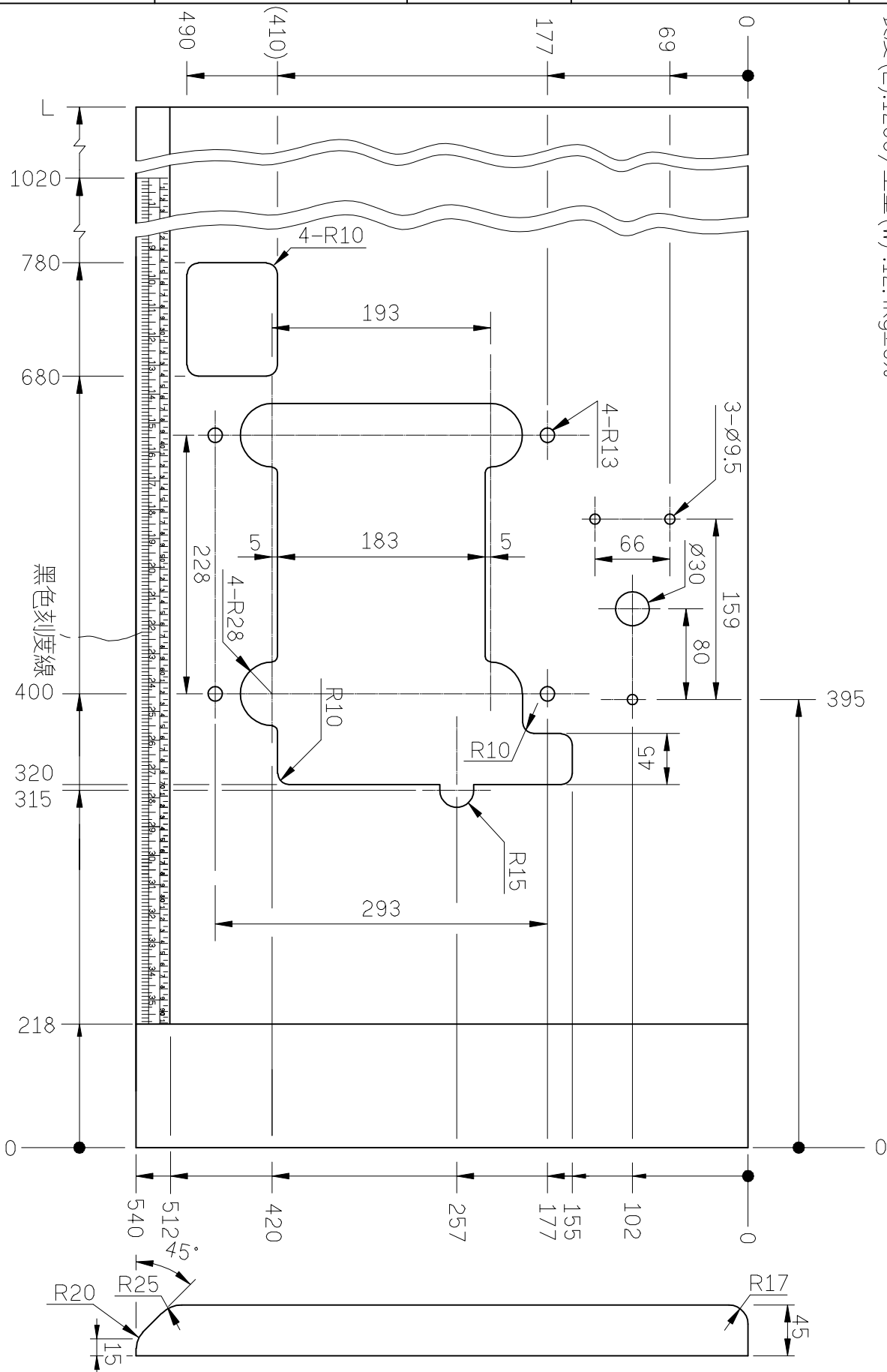
Date

2012/11/08



單位 / UNIT : mm
所有尺寸公差 / TOLERANCE : ±2
長度 (L) : 1070 / 重量 (W) : 11.6kg ±5%
長度 (L) : 1200 / 重量 (W) : 12.6kg ±5%

SIRUBA TABLE CUT - OUT	Series	Item Code	Subclass Remark	Mounting
	VC008	VC008-T9	For VC008-12/VSC	Semi-submerged
				Date
				2012/11/15



SIRUBA

TABLE
CUT - OUT

Series

VC008

Item Code

VC008-T10-2

Subclass Remark

For VC008-04, VC008-12

Mounting

Non-submerged

Date

2014/03/11

四針筒車全沉式桌板圖
VC008 SERIES TABLE CUT-OUT SUBMERGED
單位/UNIT:mm
所有尺寸公差/TOLERANCE:±2
重量(W):6.1kg±5%

